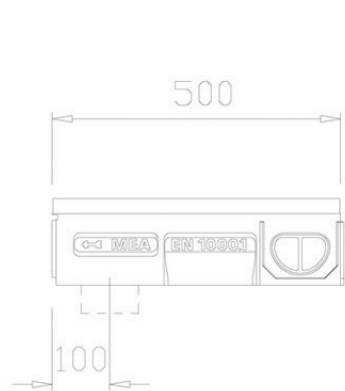
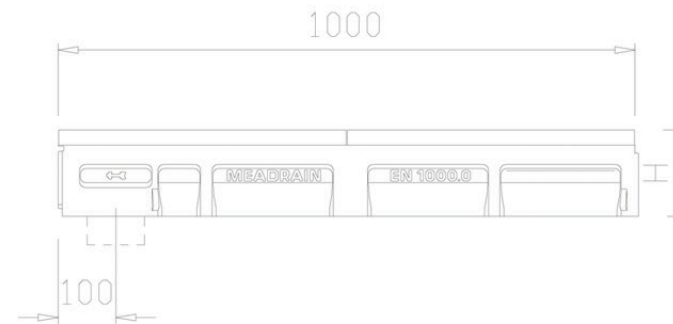
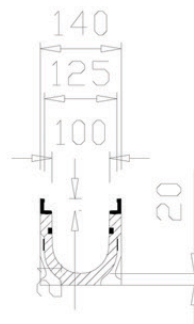


Althon HD1000 Channel Range Hydraulic Calculation Chart

Max Capacity Shown in litres / second				
Run Length	HD1000.0	HD1010.0	HD1020.0	
metres	l/s	l/s	l/s	
5	3.3	6.9	11.1	
10	3.2	6.4	10.3	
15	3	6	9.8	
20	2.8	5.8	9.3	
25	2.7	5.5	9	
30	2.6	5.3	8.6	
40	2.4	5	8.1	
50	2.2	4.7	7.6	
60	2.1	4.4	7.2	
70	2	4.2	6.9	
80	1.9	4	6.6	
90	1.8	3.9	6.4	
100	1.7	3.7	6.1	



Althon Mea HD 1000.0



Althon Mea HD 1000.1