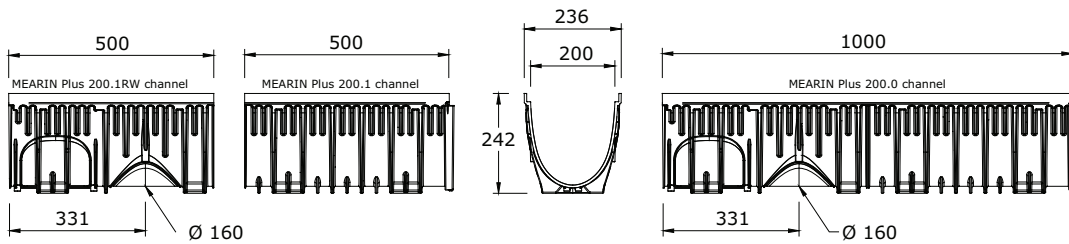


ALTHON MEARIN GRP CHANNEL Plus 200 and Expert 200

Technical data sheet



Material properties

Channel body and accessories

- ◆ SMC (sheet moulded compound)
Glassfibre reinforced polyester, mineral fillers, additives
- ◆ Tensile strength 65 N/mm² (ISO527)
- ◆ Flexural tensile strength 120 N/mm² (ISO 14125)
- ◆ Modulus of elasticity 10.000 N/mm² (ISO 14125)
- ◆ Linear expansion coefficient 1.5 - 2.0 x 10⁻⁵ 1/K
- ◆ Heat resistance 100°C permanent exposure, short-term exposure to 200°C
- ◆ Frost resistance - 35°C
- ◆ Water absorption < 0.1% (ISO R178)
- ◆ Material structure capillary free

Edge protection

ALTHON MEARIN Plus

- ◆ Glassfibre reinforced polyester

ALTHON MEARIN Expert

- ◆ Galvanized steel

Channel covers

- ◆ Galvanized steel
- ◆ Ductile iron

Description and sizes

- ◆ Drainage channels made of glass-fibre reinforced polyester with integrated sealable rebate
- ◆ With galvanized steel or glass-fibre reinforced polyester edge protection
- ◆ Pre-formed Ø 160 outlets for vertical, lateral and horizontal connections
- ◆ Interlocking channel connection system (tongue and groove)
- ◆ Lateral channel connection option for T, corner and cross connections
- ◆ Half-metre lengths for flow direction change (RW)
- ◆ Suitable for the installation of MEARIN Plus and Expert 200 channel covers with STARFIX non-bolted grating securement

- ◆ Clear width: 200 mm
- ◆ Fall type: Level fall
- ◆ Loading class: A 15 - E 600 to EN 1433
- ◆ CE conformity
- ◆ Total height: 242 mm
- ◆ Total width: ALTHON MEARIN Plus 236 mm, MEARIN Expert 232 mm
- ◆ Length: 500 mm and 1000 mm

Channel unit overview

ALTHON MEARIN Plus 200 channel body

Edge: GRP

Description	Loading class	Length mm	Total width mm	Total height mm	Weight kg	Inlet sectional area cm ² *)
MEARIN Plus 200.0 channel ¹⁾²⁾	D 400	1000	236	242	6,70	334,50
MEARIN Plus 200.1 channel ²⁾	D 400	500	236	242	3,35	334,50
MEARIN Plus 200.1 RW channel ¹⁾²⁾³⁾	D 400	500	236	242	3,35	334,50

ALTHON MEARIN Expert 200 channel body

Edge: Galvanized steel

Description	Loading class	Length mm	Total width mm	Total height mm	Weight kg	Inlet sectional area cm ² *)
MEARIN Expert 200.0 channel ¹⁾²⁾	E 600	1000	232	242	8,30	334,50
MEARIN Expert 200.1 channel ²⁾	E 600	500	232	242	4,30	334,50
MEARIN Expert 200.1RW channel ¹⁾²⁾³⁾	E 600	500	232	242	4,30	334,50

ALTHON MEARIN Plus and Expert 200 accessories

Description	Loading class	Length mm	Total width mm	Total height mm	Weight kg	Inlet sectional area cm ² *)
MEARIN Plus 200 EK (silt box)	D 400	500	236	630	4,65	334,50
MEARIN Expert 200 EK (silt box)	E 600	500	232	630	5,65	334,50
Description	Thickness		Weight			
		mm		kg		
MEARIN Plus/Expert 200 end cap, closed		5		0,18		
MEARIN Plus/Expert 200 end cap, Ø 160		5		0,19		
MEARIN Plus/Expert 200 end cap, lateral, Ø 160				0,24		
MEARIN Plus/Expert 200 channel adapter				0,09		
MEARIN Plus/Expert 200 outlet Ø 160				0,14		

ALTHON MEARIN Plus and Expert 200 channel covers

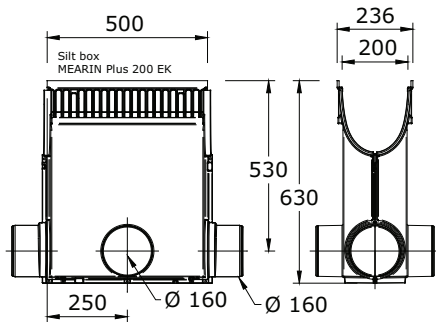
Description	Loading class	Material	Length mm	Total width mm	Total height mm	Weight kg	Inlet sectional area cm ² /m
MEARIN Plus/Expert 200 Mesh 30/10	A 15	galvanized steel	1000	222	20	5,97	1657,00
MEARIN Plus/Expert 200 Mesh 30/10	A 15	galvanized steel	500	222	20	3,10	1606,00
MEARIN Plus/Expert 200 Mesh 30/10	B 125	galvanized steel	1000	222	20	7,03	1657,00
MEARIN Plus/Expert 200 Mesh 30/10	B 125	galvanized steel	500	222	20	3,60	1606,00
MEARIN Plus/Expert 200 Mesh 30/20	C 250	galvanized steel	1000	222	20	9,70	1661,00
MEARIN Plus/Expert 200 Mesh 30/20	C 250	galvanized steel	500	222	20	4,85	1614,00
MEARIN Plus/Expert 200 Mesh 30/20	C 250	stainless steel	1000	222	20	10,62	1661,00
MEARIN Plus/Expert 200 Mesh 30/20	C 250	stainless steel	500	222	20	5,34	1614,00
MEARIN Plus/Expert 200 Duct.	C 250	ductile iron	1000	222	20	7,00	1077,00
MEARIN Plus/Expert 200 Mesh 30/20	D 400	galvanized steel	500	222	20	14,28	1530,00
MEARIN Plus/Expert 200 Mesh 30/20	D 400	galvanized steel	1000	222	20	7,12	1485,00
MEARIN Plus/Expert 200 Duct.	D 400	ductile iron	500	222	20	8,45	1077,00
MEARIN Plus/Expert 200 WAVE-grating	E 600	ductile iron	500	222	20	8,45	1004,00

- ¹⁾ Connection option for vertical outlet, Ø 160 end cap with lateral connector, Ø 160 lateral channels, for T, corner and cross connections
- ²⁾ Connection option for silt box, Ø 160 connections end cap with horizontal connector, Ø 160
- ³⁾ Possible application flow direction change

Note: RW Mesh Duct. direction change mesh grating ductile iron slotted grating

*) Cross sectional area from the grating surface tot the invert of the channel.

Silt box in glass-fibre reinforced polyester

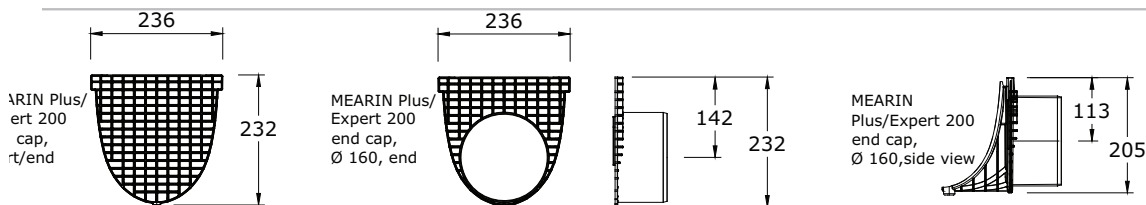


Description and sizes

- ◆ Suitable for MEARIN Plus 200 and MEARIN Expert 200
- ◆ With galvanized steel or glass-fibre reinforced polyester edge protection
- ◆ With sediment bucket
- ◆ Connection option for Ø 160
- ◆ Interlocking channel connection system
- ◆ Suitable for the installation of MEARIN Plus and Expert 200 channel covers with STARFIX non-bolted grating securement

Edge: GRP	Loading class	Length mm	Total width mm	Total height mm	Weight kg	Inlet-sectional area cm ²
MEARIN Plus 200 EK (silt box)	C 250	500	236	630	4,65	334,50
Edge: galvanized steel						
MEARIN Expert 200 EK (silt box)	D 400	500	232	630	5,65	334,50

End caps

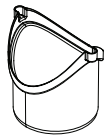
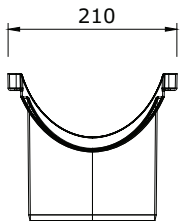


Description and sizes

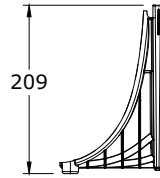
- ◆ Suitable for MEARIN Plus 200 and MEARIN Expert 200
- ◆ Connection option for Ø 160
- ◆ Material: polypropylene

	Thickness mm	Weight kg
MEARIN Plus/Expert 200 end cap, closed	5	0,18
MEARIN Plus/Expert 200 end cap, Ø 160	5	0,19
MEARIN Plus/Expert 200 end cap, lateral, Ø 160	5	0,24

Outlet connector and channel adapter



MEARIN
Plus/Expert 200
Ø 160 outlet



MEARIN
Plus/Expert 200
channel adapter,
side view

Description and sizes

- ◆ Suitable for MEARIN Plus 200 and MEARIN Expert 200
- ◆ Material: polypropylene

	Weight kg
MEARIN Plus/Expert 200 channel adapter	0,09
MEARIN Plus/Expert 200 Ø 160 outlet	0,14

Installation example

