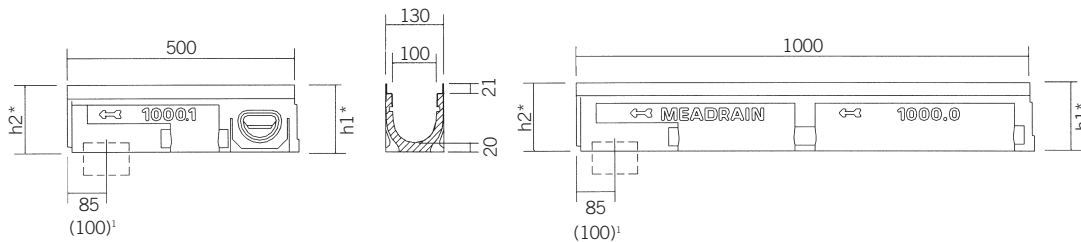


ALTHON MEADRAIN® Supreme System Z 1000

Technical Data



h1* = Total height 1 h2* = Total height 2

Material properties

Channel body

- ◆ Polymer concrete based on polyester resin
- ◆ Compression resistance: > 90 N/mm²
- ◆ Flexural strength: > 22 N/mm²
- ◆ Water absorption: less than 0,05%
- ◆ Density: 2.1 - 2.3 kg/dm³
- ◆ Modulus of elasticity: 25 - 35 kN/mm²
- ◆ Water penetration level: 0 mm
- ◆ Material structure: capillary free

Edge protection

- ◆ Galvanized steel: DX 51 D 275 NA to EN 10142

Grating

- ◆ Galvanized steel: DX 51 D 275 NA
- ◆ Ductile iron
- ◆ Stainless steel: AISI 304 (1.4301)

Description and sizes

- ◆ Drainage channel made of polymer concrete with sealable channel groove
- ◆ Integrated galvanized steel edge protection
- ◆ Connection facility for vertical discharge Ø 110 in 500 mm and 1000 mm channel
- ◆ The /A-marked channel elements include a HD-PE outlet connector Ø 110
- ◆ Interlocking joint system for an exact fitting of the channels
- ◆ Suitable for installation of MEADRAIN Top 1000 grating covers with CLIPFIX boltless locking system or standard locking mechanisms
- ◆ Fall type: linear fall up to 20 m, stepped fall, without fall
- ◆ Loading classes: A 15, B 125, C 250 to EN 1433
- ◆ Total height: 150 mm - 250 mm (see table)
- ◆ Total width: 130 mm
- ◆ Length: 500 mm and 1000 mm

1) 100 mm with HD-PE outlet connector - 85 mm with pre-formed knockout

Channel units overview

Channel without fall

Channel element suitable for connection to a vertical Ø 110 outlet connector or siltbox

Product description	Length	Total height	Total height	Weight	Inlet sectional area**	EDP-Number 010...
	[mm]	h1 [mm]	h2 [mm]	[kg]	[cm ²]	
Z 1000.0 ²⁾	1000	150	150	13,5	98,27	155401
Z 1000.0/A ³⁾	1000	150	150	13,5	98,27	155402
Z 1000.1 ¹⁾²⁾	500	150	150	7,0	98,27	155403
Z 1005.0 ²⁾	1000	175	175	15,5	123,27	155415
Z 1005.0/A ³⁾	1000	175	175	15,5	123,27	155416
Z 1005.1 ¹⁾²⁾	500	175	175	8,5	123,27	155417
Z 1010.0 ²⁾	1000	200	200	17,2	148,27	155429
Z 1010.0/A ³⁾	1000	200	200	17,2	148,27	155430
Z 1010.1 ¹⁾²⁾	500	200	200	10,0	148,27	155431
Z 1015.0 ²⁾	1000	225	225	19,5	173,27	155443
Z 1015.0/A ³⁾	1000	225	225	19,5	173,27	155444
Z 1015.1 ¹⁾²⁾	500	225	225	11,5	173,27	155445
Z 1020.0 ²⁾	1000	250	250	21,7	198,27	155457
Z 1020.0/A ³⁾	1000	250	250	21,7	198,27	155458
Z 1020.1 ¹⁾²⁾	500	250	250	12,5	198,27	155459

Channel with stepped fall

as connecting elements for stepped fall (with 2,5 % fall)

Product description	Length	Total height	Total height	Weight	Inlet sectional area**	EDP-Number 010...
	[mm]	h1 [mm]	h2 [mm]	[kg]	[cm ²]	
Z 1000-5	1000	150	175	14,6	123,27	155461
Z 1005-10	1000	175	200	16,3	148,27	155463
Z 1010-15	1000	200	225	18,1	173,27	155465
Z 1015-20	1000	225	250	20,6	198,27	155467

** Cross sectional area from the grating surface to the invert of the channel

Channels with heights of 255 to 305 mm are available upon request

1) Connecting facility for corner and cross junction

2) Connecting facility for vertical discharge Ø 110 or siltbox

3) Channel elements with integrated HD-PE outlet connector Ø 110

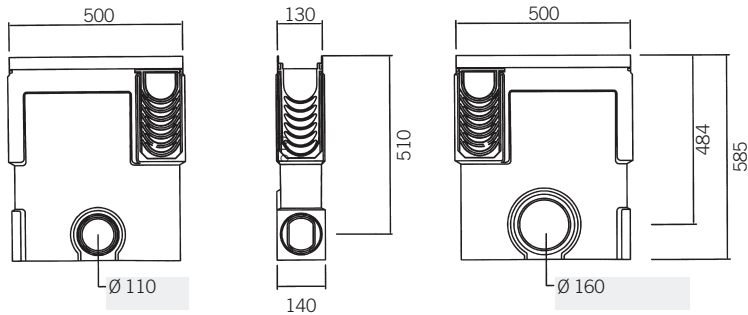
Channel with linear fall

Product description	Length	Total height		Weight	Inlet sectional area**	EDP-Number 010...
	[mm]	h1 [mm]	h2 [mm]	[kg]	[cm ²]	
Z 1001	1000	150	155	13,8	103,27	155405
Z 1002	1000	155	160	14,2	108,27	155407
Z 1003	1000	160	165	14,6	113,27	155409
Z 1004	1000	165	170	15,1	118,27	155411
Z 1005 ²⁾	1000	170	175	15,3	123,27	155413
Z 1005/A ³⁾	1000	170	175	15,3	123,27	155414
Z 1006	1000	175	180	15,4	128,27	155419
Z 1007	1000	180	185	15,8	133,27	155421
Z 1008	1000	185	190	16,2	138,27	155423
Z 1009	1000	190	195	16,6	143,27	155425
Z 1010 ²⁾	1000	195	200	17,1	148,27	155427
Z 1010/A ³⁾	1000	195	200	17,1	148,27	155428
Z 1011	1000	200	205	17,3	153,27	155433
Z 1012	1000	205	210	17,7	158,27	155435
Z 1013	1000	210	215	18,1	163,27	155437
Z 1014	1000	215	220	18,5	168,27	155439
Z 1015 ²⁾	1000	220	225	19,0	173,27	155441
Z 1015/A ³⁾	1000	220	225	19,0	173,27	155442
Z 1016	1000	225	230	19,7	178,27	155447
Z 1017	1000	230	235	20,1	183,27	155449
Z 1018	1000	235	240	20,5	188,27	155451
Z 1019	1000	240	245	20,9	193,27	155453
Z 1020 ²⁾	1000	245	250	21,5	198,27	155455
Z 1020/A ³⁾	1000	245	250	21,5	198,27	155456

** Cross sectional area from the grating surface to the invert of the channel
Channels with heights of 255 to 305 mm are available upon request

- 1) Connecting facility for corner and cross junction
- 2) Connecting facility for vertical discharge Ø 110 or siltbox
- 3) Channel elements with integrated HD-PE outlet connector Ø 110

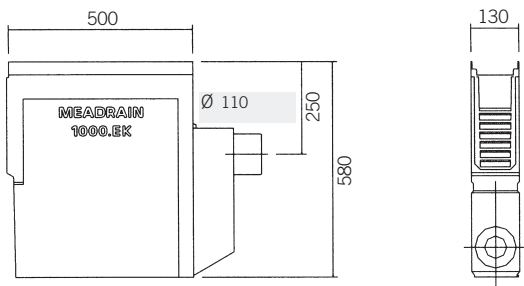
Silt box made of polymer concrete Z 1000.EK



Description and size

- ◆ Integrated galvanized steel edge protection
- ◆ Sediment bucket included
- ◆ Suitable for installation of MEADRAIN Top 1000 grating covers with CLIPFIX boltless locking system or standard locking mechanisms
- ◆ Pre-formed knockouts for breaking out, making the perfect connection of the channel types 1000, 1005, 1010, 1015, 1020 (1025 and 1030)
- ◆ Connection facility for outlet connector \varnothing 110 and \varnothing 160
- ◆ Connection facility for outlet corner and cross junction
- ◆ EDP-Number: 010155484
- ◆ Total height: 585 mm
- ◆ Total width: 140 mm
- ◆ Length: 500 mm
- ◆ Weight: 26,5 kg

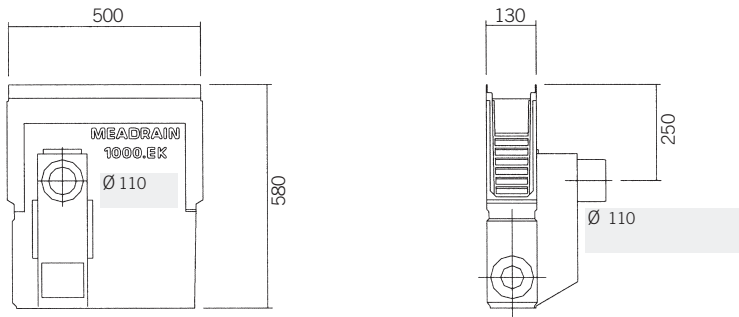
Silt box made of polymer concrete Z 1000.EK LG 10



Description and size

- ◆ Integrated roddable foul air trap and connector \varnothing 110
- ◆ Integrated galvanized steel edge protection
- ◆ Sediment bucket included
- ◆ Suitable for installation of MEADRAIN Top 1000 grating covers with CLIPFIX boltless locking system or standard locking mechanisms
- ◆ Pre-formed knockouts for breaking out, making the perfect connection of the channel types 1000, 1005, 1010, 1015, 1020 (1025 and 1030)
- ◆ EDP-Number: 010155485
- ◆ Total height: 580 mm
- ◆ Total width: 130 mm
- ◆ Length: 500 mm
- ◆ Weight: 28,0 kg

Silt box made of polymer concrete Z 1000.EK QG 10

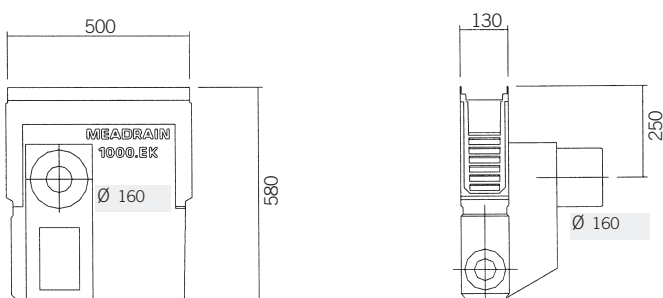


Description and sizes

- ◆ Integrated roddable foul air trap and connector \varnothing 110
- ◆ Integrated galvanized steel edge protection
- ◆ Sediment bucket included
- ◆ Suitable for installation of MEADRAIN Top 1000 grating covers with CLIPFIX boltless locking system or standard locking mechanisms
- ◆ Pre-formed knockouts for breaking out, making the perfect connection of the channel types 1000, 1005, 1010, 1015, 1020 (1025 and 1030)

◆ EDP-Number:	010155487	◆ Length:	500 mm
◆ Total height:	580 mm	◆ Weight:	28,0 kg
◆ Total width:	130 mm		

Silt box made of polymer concrete Z 1000.EK QG 15

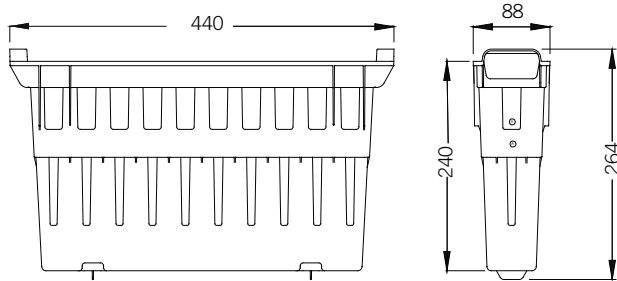


Description and sizes

- ◆ Integrated roddable foul air trap and connector \varnothing 160
- ◆ Integrated galvanized steel edge protection
- ◆ Sediment bucket included
- ◆ Suitable for installation of MEADRAIN Top 1000 grating covers with CLIPFIX boltless locking system or standard locking mechanisms
- ◆ Pre-formed knockouts for breaking out, making the perfect connection of the channel types 1000, 1005, 1010, 1015, 1020 (1025 and 1030)

◆ EDP-Number:	010155489	◆ Length:	500 mm
◆ Total height:	580 mm	◆ Weight:	29,0 kg
◆ Total width:	130 mm		

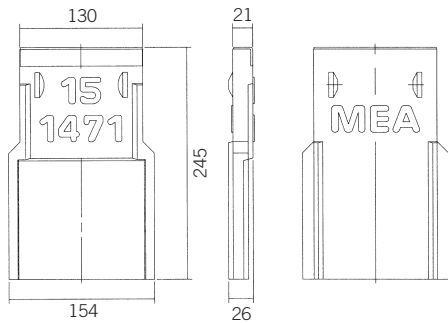
Sediment bucket for Z 1000.EK-S



Description and size

- ◆ Optimized slot design for achieving best discharge rates
- ◆ Material: HD-PE
- ◆ EDP-Number: 010710065
- ◆ Total height: 264 mm
- ◆ Total width: 88 mm
- ◆ Length: 440 mm
- ◆ Weight: 0,38 kg

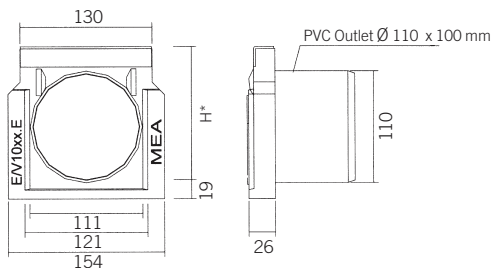
End cap made of polymer concrete for channel start and channel end Z 1000.SE



Description and sizes

- ◆ Edge protection: galvanized steel
- ◆ Suitable for channel: 1000 - 1020
1000.0 – 1020.0
- ◆ EDP-Number: 010151471
- ◆ Total height: 245 mm
- ◆ Total width: 154 mm
- ◆ Weight: 1,4 kg

End cap made of polymer concrete for channel end Z 1000.E

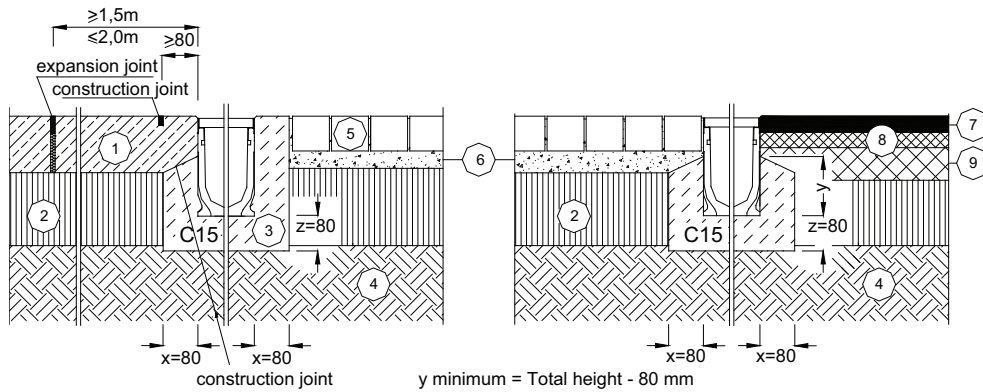


H* = Total height

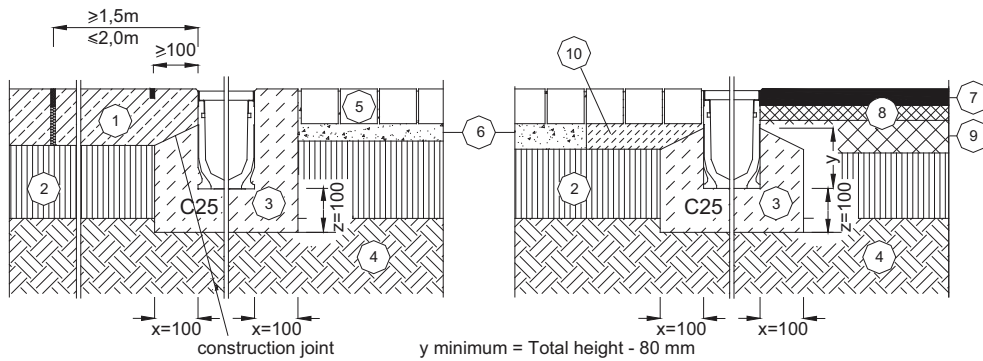
Description and sizes

- ◆ Edge protection: galvanized steel
 - ◆ PVC connector Ø 110
 - ◆ Suitable for channel
- | | 1000 | 1005 | 1010 | 1015 | 1020 |
|----------------|-----------|-----------|-----------|-----------|-----------|
| | Z 1000.E | Z 1005.E | Z 1010.E | Z 1015.E | Z 1020.E |
| ◆ EDP-Number: | 010151473 | 010151475 | 010151477 | 010151479 | 010151481 |
| ◆ Height (H): | 131 mm | 156 mm | 181 mm | 206 mm | 231 mm |
| ◆ Total width: | 154 mm | 154 mm | 154 mm | 154 mm | 154 mm |
| ◆ Weight: | 0,8 kg | 0,9 kg | 1,0 kg | 1,2 kg | 1,3 kg |

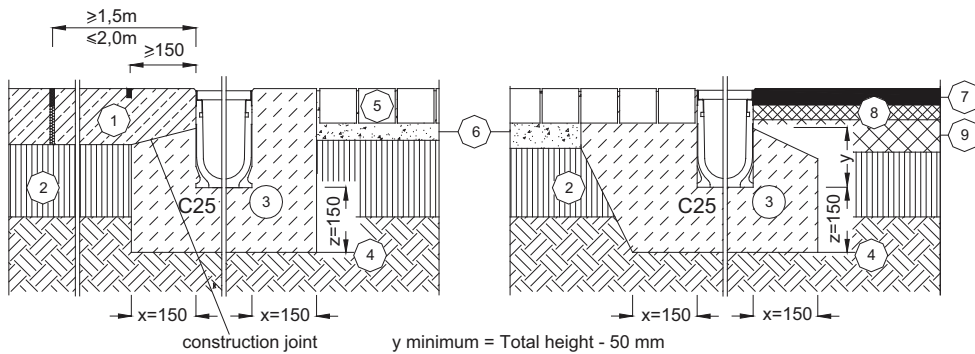
Supreme Loading class A 15



Supreme Loading class B 125



Supreme Loading class C 250



- | | |
|-------------------|--------------------------|
| ① Concrete | ⑥ Sand layer |
| ② Sub-base | ⑦ Asphalt |
| ③ Concrete haunch | ⑧ Base course |
| ④ Earth | ⑨ Bituminous base course |
| ⑤ Block paving | ⑩ Mortar |

The adjacent surfaces to the channels are to be constructed in such a way that no horizontal forces affect the channel items. Please allow for an overbuild of 3-5mm above the grating surface.

