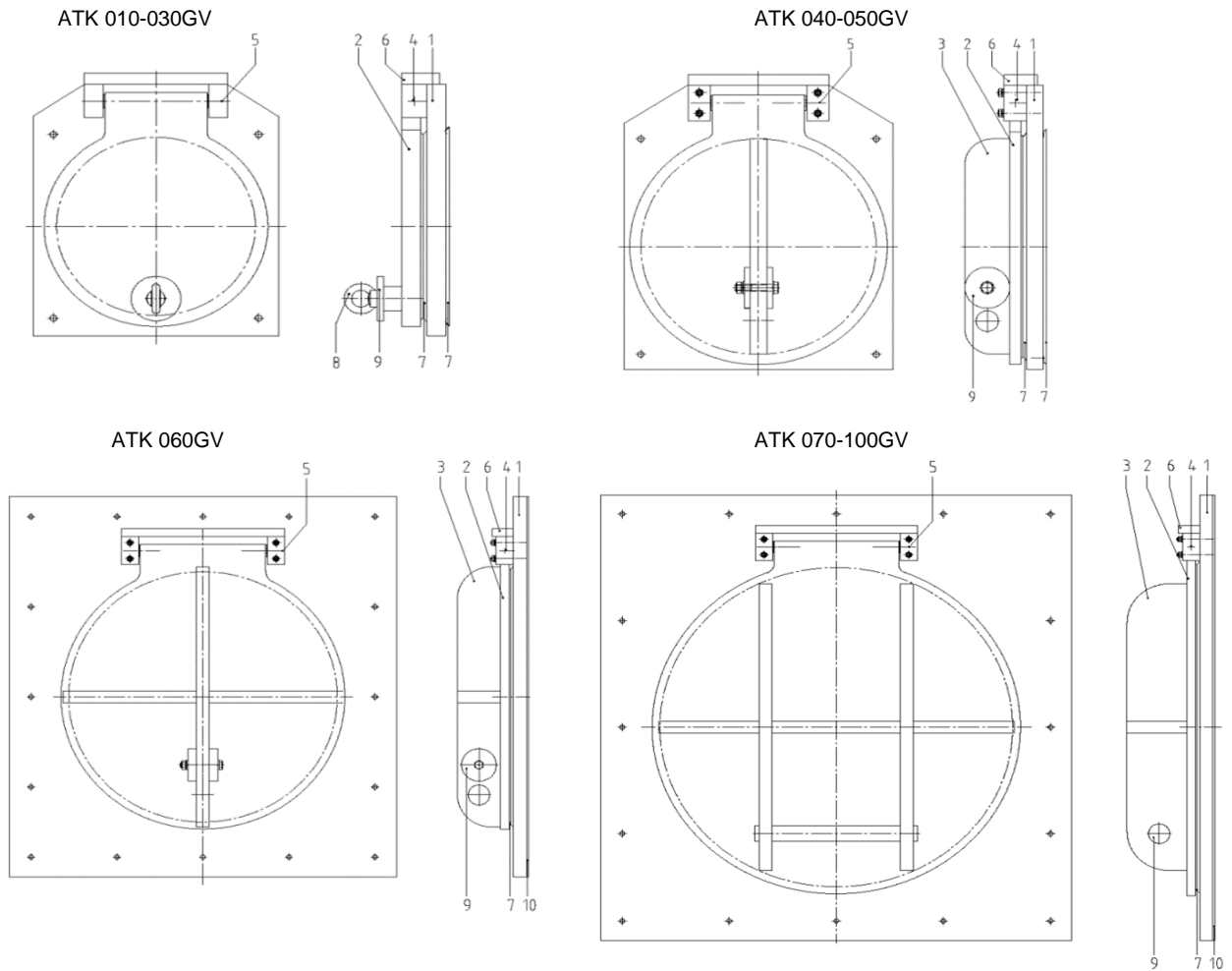


HDPE FLAP VALVE

ATK-GV with passage \varnothing 100-1000mm

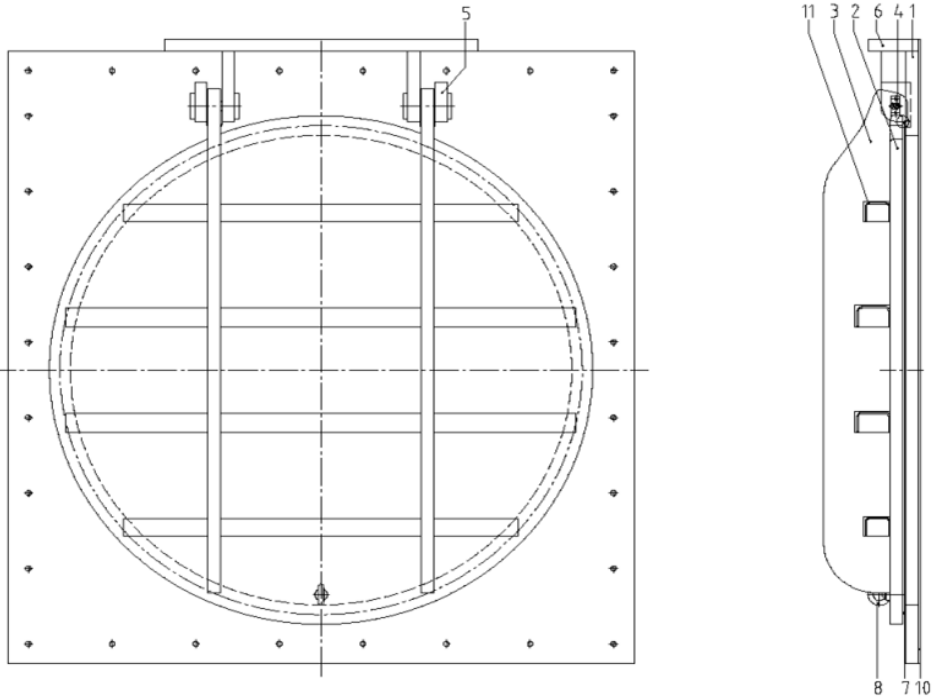


	Part	Material	Remarks
1	FRAME PLATE	HDPE	
2	VALVE DOOR	HDPE	
3	REINFORCEMENT RIBS	HDPE	
4	HINGE	AISI 316	
5	HINGE PIN	HDPE	
6	HINGE COVER	AISI 316	
7	SEALING	EPDM	
8	LIFTING EYE	A4	
9	BALLAST	AISI 316	ATK 010-060GV
		Steel in HDPE	ATK 070-100GV
10	SEALING	Neoprene	

HDPE FLAP VALVE

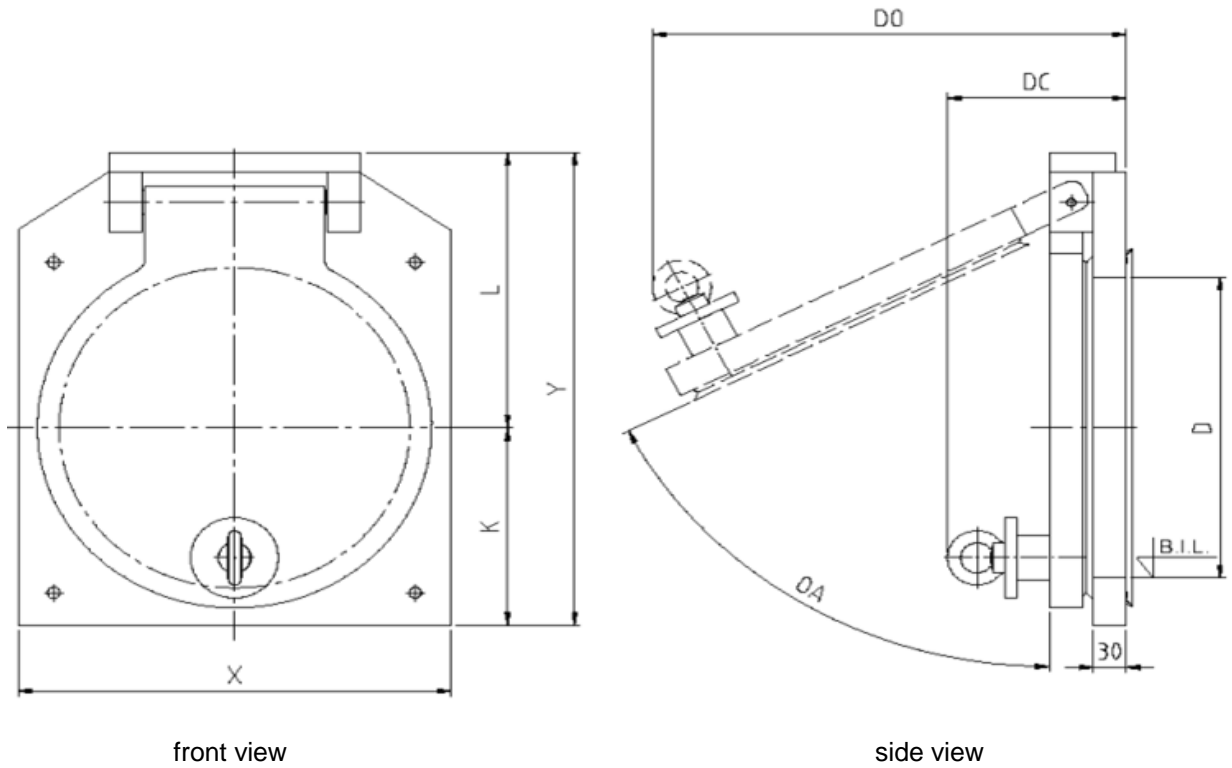
ATK-GV with passage \varnothing 1100-1500mm

ATK 110-150GV



	Part	Material	Remarks
1	FRAME PLATE	HDPE	
2	VALVE DOOR	HDPE	
3	REINFORCEMENT RIBS	HDPE	
4	HINGE	AISI 316	
5	HINGE PIN	HDPE	
6	HINGE COVER	AISI 316	
7	SEALING	EPDM	
8	LIFTING EYE	A4	
10	SEALING	Neoprene	
11	REINFORCEMENT PROFILE	AISI 316	

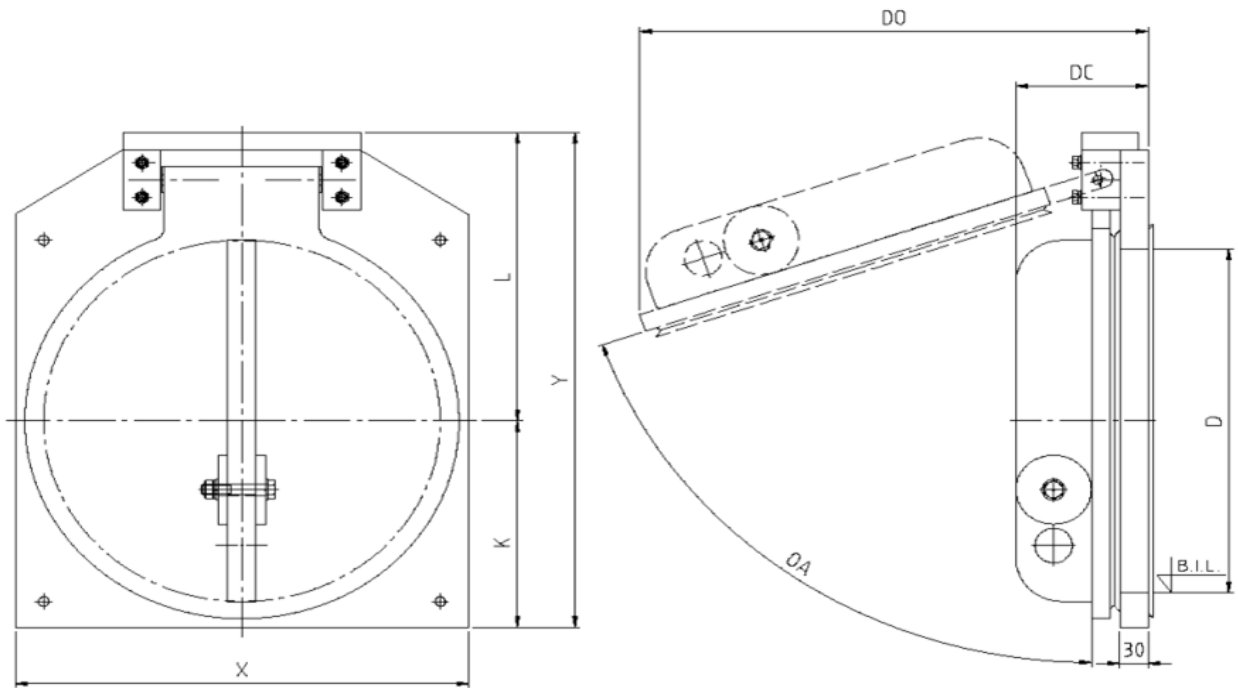
Modifications reserved.



Diameter	$\varnothing 100$	$\varnothing 150$	$\varnothing 200$	$\varnothing 250$	$\varnothing 300$
X	190	240	280	330	395
K	95	120	140	165	197
L	175	200	225	250	275
Y	270	320	365	415	472
DO	237	288	333	391	432
DC	104	131	135	143	163
OA	63°	64°	66°	67°	68°
number of chem. anchors	4xM10	4xM10	4xM10	4xM10	4xM10
weight in kg	5	6	7	8	10

HDPE FLAP VALVE

ATK-GV with passage $\varnothing 400-500\text{mm}$



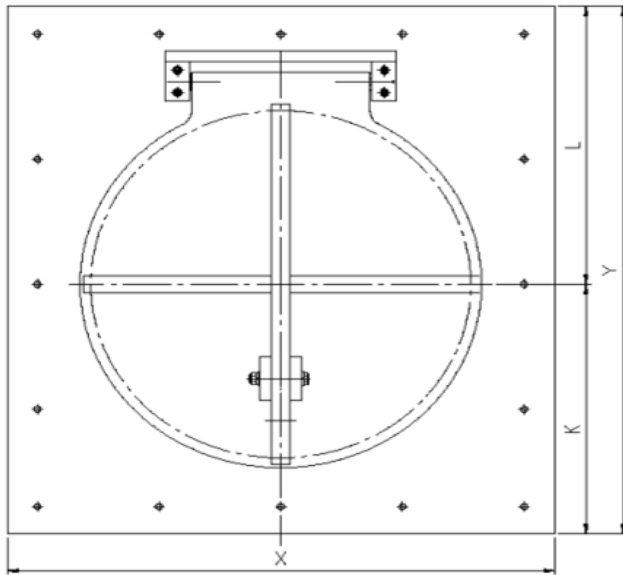
front view

side view

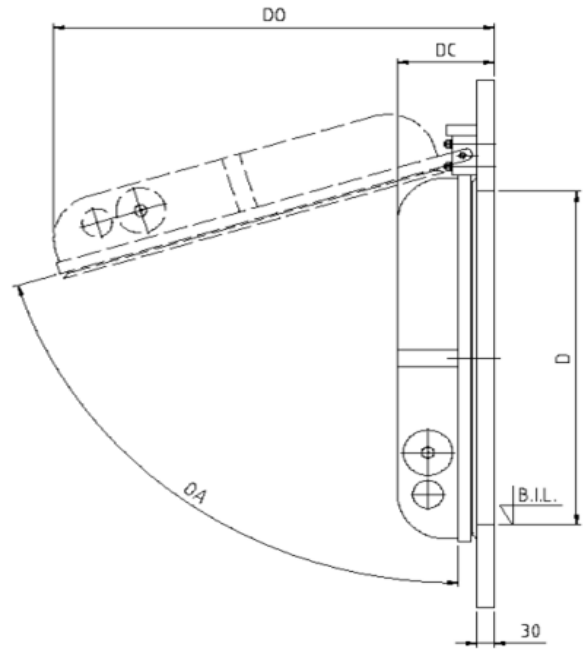
Diameter	$\varnothing 400$	$\varnothing 500$
X	480	580
K	240	290
L	335	370
Y	575	660
DO	532	624
DC	140	140
OA	71°	72°
number of chem. anchors	4xM10	4xM10
weight in kg	15	20



HDPE FLAP VALVE ATK-GV with passage $\varnothing 600\text{mm}$

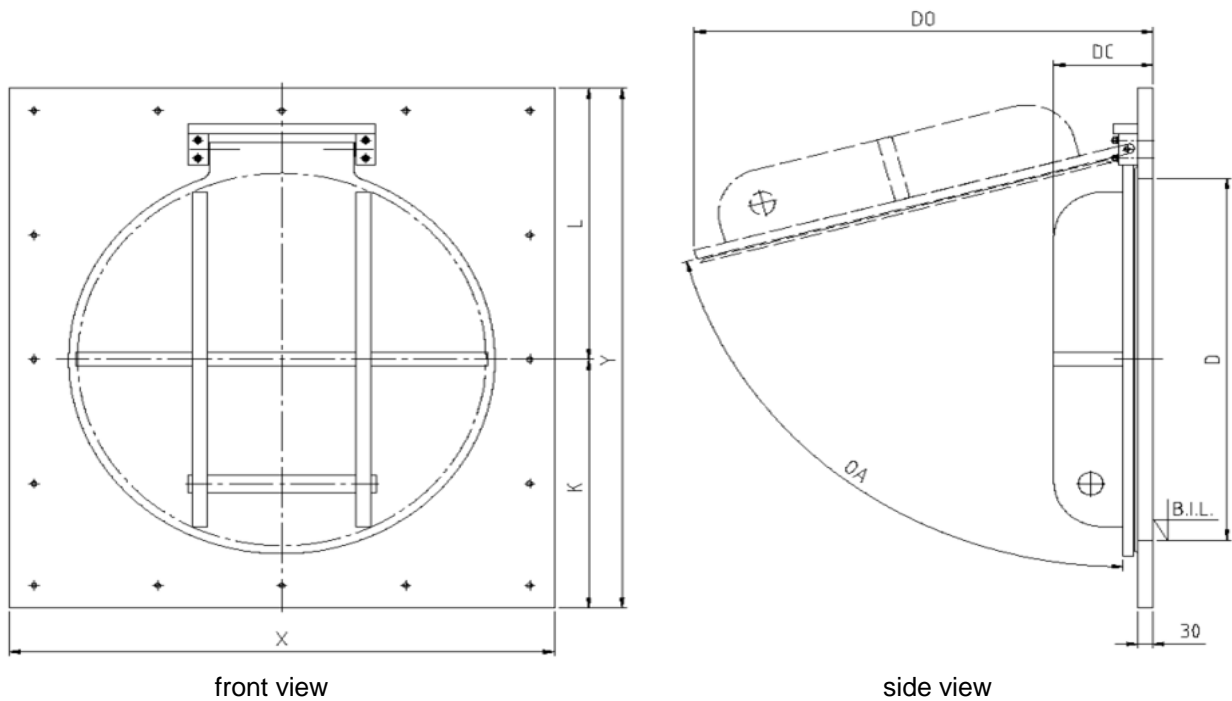


front view



side view

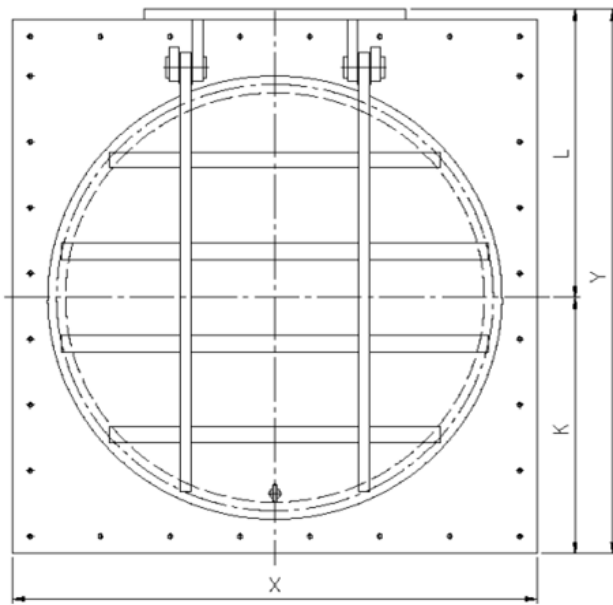
Diameter	$\varnothing 600$
X	900
K	450
L	500
Y	950
DO	725
DC	160
OA	73°
number of chem. anchors	16xM10
weight in kg	33



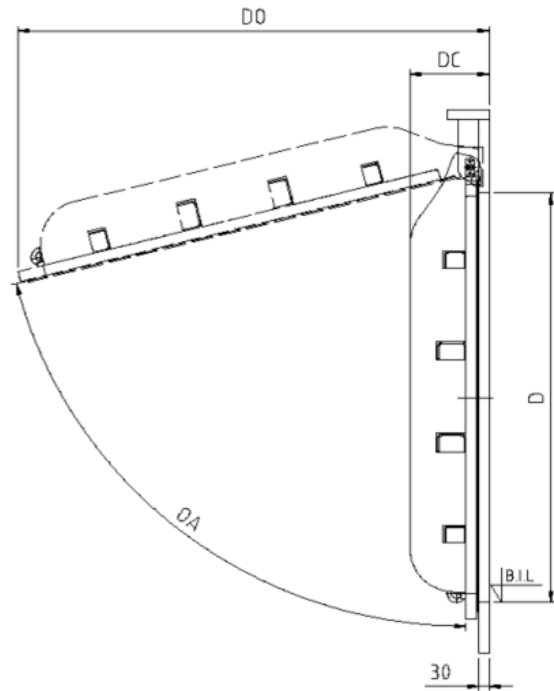
Diameter	$\varnothing 700$	$\varnothing 800$	$\varnothing 900$	$\varnothing 1000$
X	1000	1100	1140	1240
K	500	550	585	635
L	550	600	635	685
Y	1050	1150	1220	1320
DO	825	925	1022	1127
DC	180	200	235	260
OA	74°	75°	75°	76°
number of chem. anchors	16xM10	16xM10	20xM10	24xM10
weight in kg	42	55	62	74

HDPE FLAP VALVE

ATK-GV with passage $\varnothing 1100-1500\text{mm}$



front view



side view

Diameter	$\varnothing 1100$	$\varnothing 1200$	$\varnothing 1300$	$\varnothing 1400$	$\varnothing 1500$
X	1400	1500	1600	1700	1800
K	675	750	800	850	900
L	805	845	875	925	975
Y	1480	1595	1675	1775	1875
DO	1311	1348	1507	1603	1709
DC	227	227	247	247	247
OA	76°	76°	76°	76°	76°
number of chem. anchors	30xM10	30xM10	32xM10	34xM10	36xM10
weight in kg	76	80	95	125	140