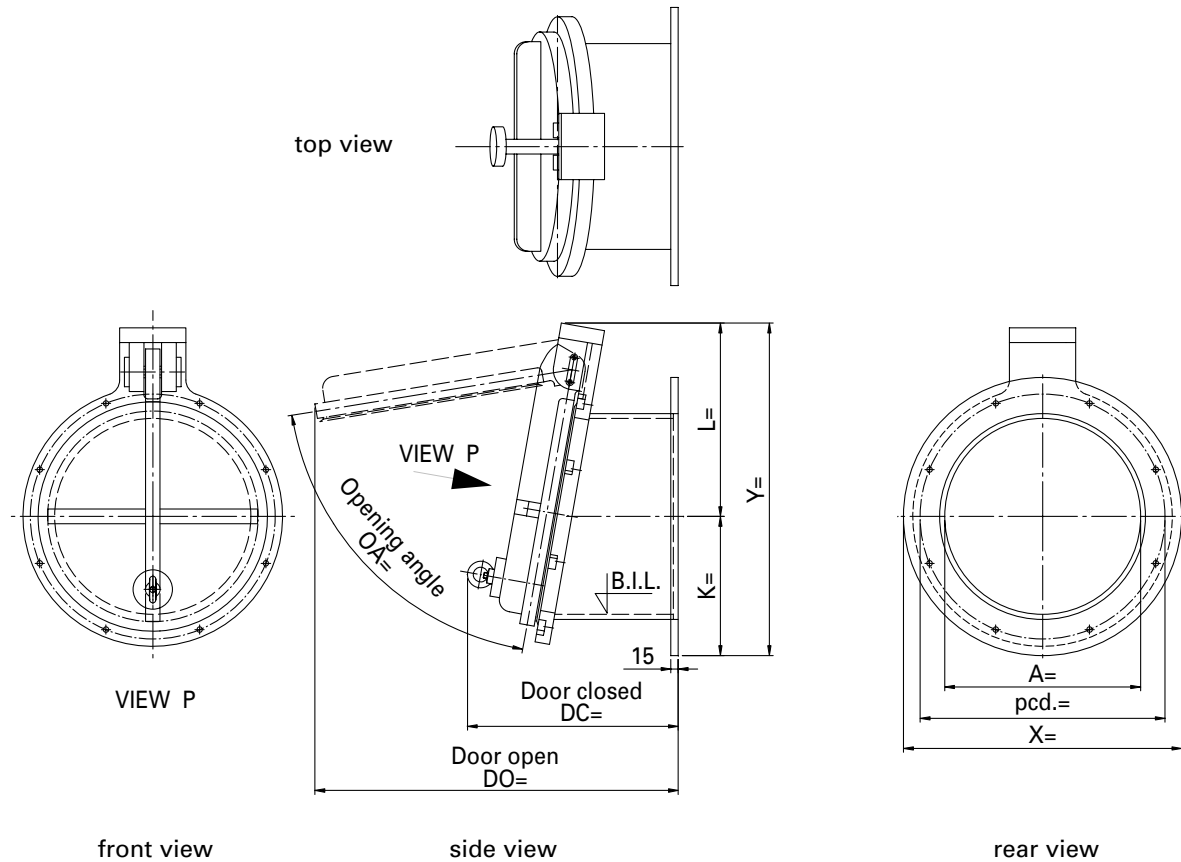
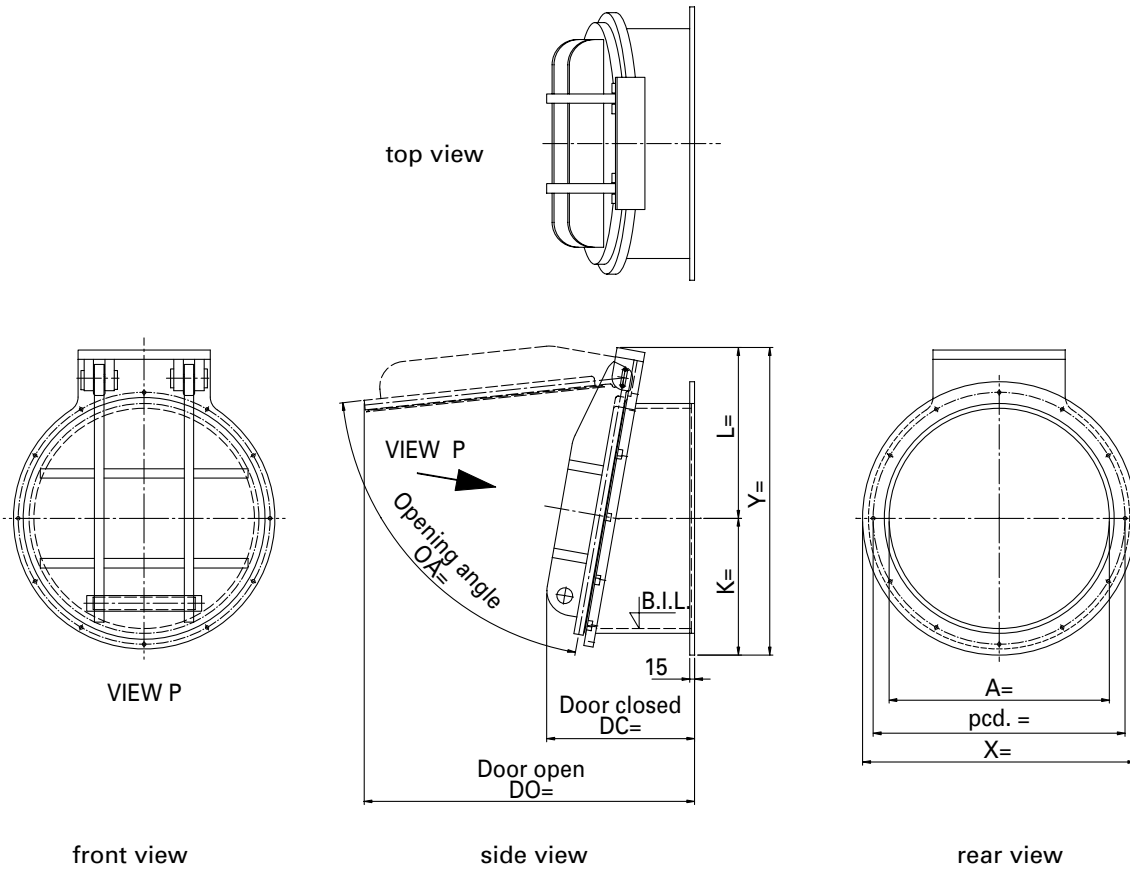


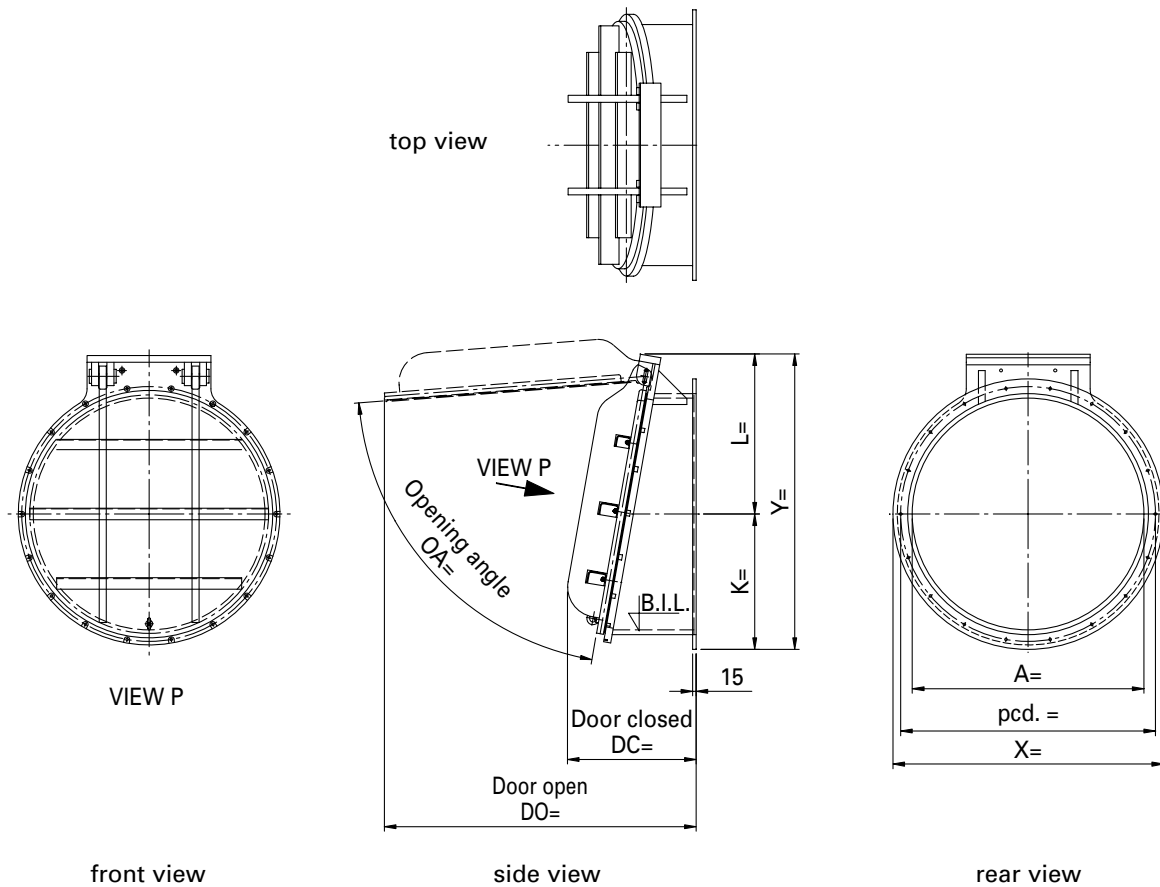
	Part	Material	Remarks
1	frame plate	HDPE	
2	valve door	HDPE	
3 A	reinforcement ribs	HDPE	PTK 150-2000A
3 B	reinforcement profile	Stainless steel AISI 316	PTK 900-2000A
4	hinge	HDPE	
5	hinge pin	Stainless steel AISI 316	
6	hinge cover	HDPE	
7	sealing	EPDM	
8	lifting eye	Stainless steel A4	
9	ballast	Stainless steel AISI 316	PTK 150-500A
		HDPE (filled with steel)	PTK 600-800A
10	tube	HDPE	
11	anchor plate	HDPE	
12	sealing	Neoprene	



Product	Althon HDPE Flap valve type PTK-A					
Application	non-return flap valve suitable for permanent under water use with an anchor plate for wall mounting					
Standard pressure	1 meter water column permanent from top of opening, 5 meter water column short duration (72 hours) from bottom of opening higher pressures on request					
Diameter	\varnothing 150	\varnothing 200	\varnothing 250	\varnothing 300	\varnothing 400	\varnothing 500
X	280	368	380	468	568	668
pcd	250	300	350	400	500	600
A	150	187	234	300	400	500
K	140	184	190	234	284	334
L	272	297	321	346	395	444
Y	412	481	511	580	679	778
DO	487	538	588	640	742	850
DC	370	378	387	403	430	491
OA	63°	66°	67°	68°	71°	72°
number of chem anchors	6 xM8	6 xM8	6 xM8	6 xM8	8 xM8	10 xM8
weight in kg	6	8	10	13	21	29



Product	Althon HDPE Flap valve type PTK-A		
Application	non-return flap valve suitable for permanent under water use with an anchor plate for wall mounting		
Standard pressure	1 meter water column permanent from top of opening, 5 meter water column short duration (72 hours) from bottom of opening higher pressures on request		
Diameter	Ø 600	Ø 700	Ø 800
X	768	868	968
pcd	700	800	900
A	600	700	800
K	384	434	484
L	494	543	592
Y	878	977	1076
DO	948	1050	1145
DC	425	469	498
OA	73°	74°	75°
number of chem anchors	12 xM8	12 xM8	14 xM8
weight in kg	45	58	70



Product	Althon HDPE Flap valve type PTK-A						
Application	non-return flap valve suitable for permanent under water use with an anchor plate for wall mounting						
Standard pressure	1 meter water column permanent from top of opening, 5 meter water column short duration (72 hours) from bottom of opening higher pressures on request bigger dimensions upon request						
Diameter	Ø 900	Ø 1000	Ø 1200	Ø 1500	Ø 1600	Ø 1800	Ø 2000
X	1068	1168	1400	1700	1800	2000	2200
pcd	1000	1100	1350	1650	1750	1950	2150
A	900	1000	1200	1500	1600	1800	2000
K	534	584	700	850	900	1000	1100
L	641	691	828	964	1017	1110	1211
Y	1175	1275	1528	1814	1917	2110	2311
DO	1226	1346	1706	2003	2060	2260	2520
DC	520	556	687	753	750	779	900
OA	75°	76°	76°	76°	76°	76°	76°
number of chem anchors	16 xM8	18 xM8	22 xM8	26 xM10	28 xM10	30 xM10	34 xM10
weight in kg	96	106	138	224	262	370	488