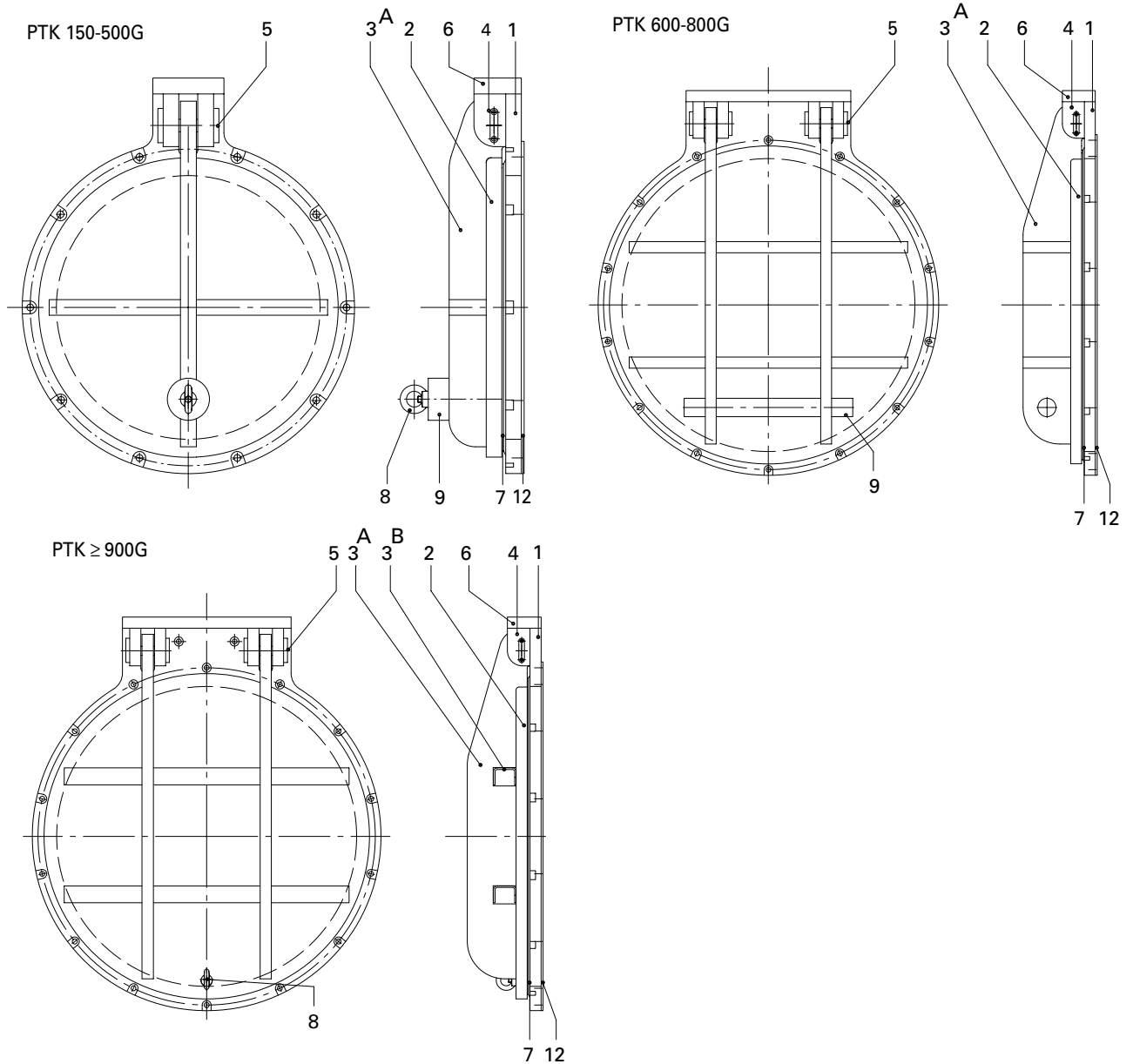
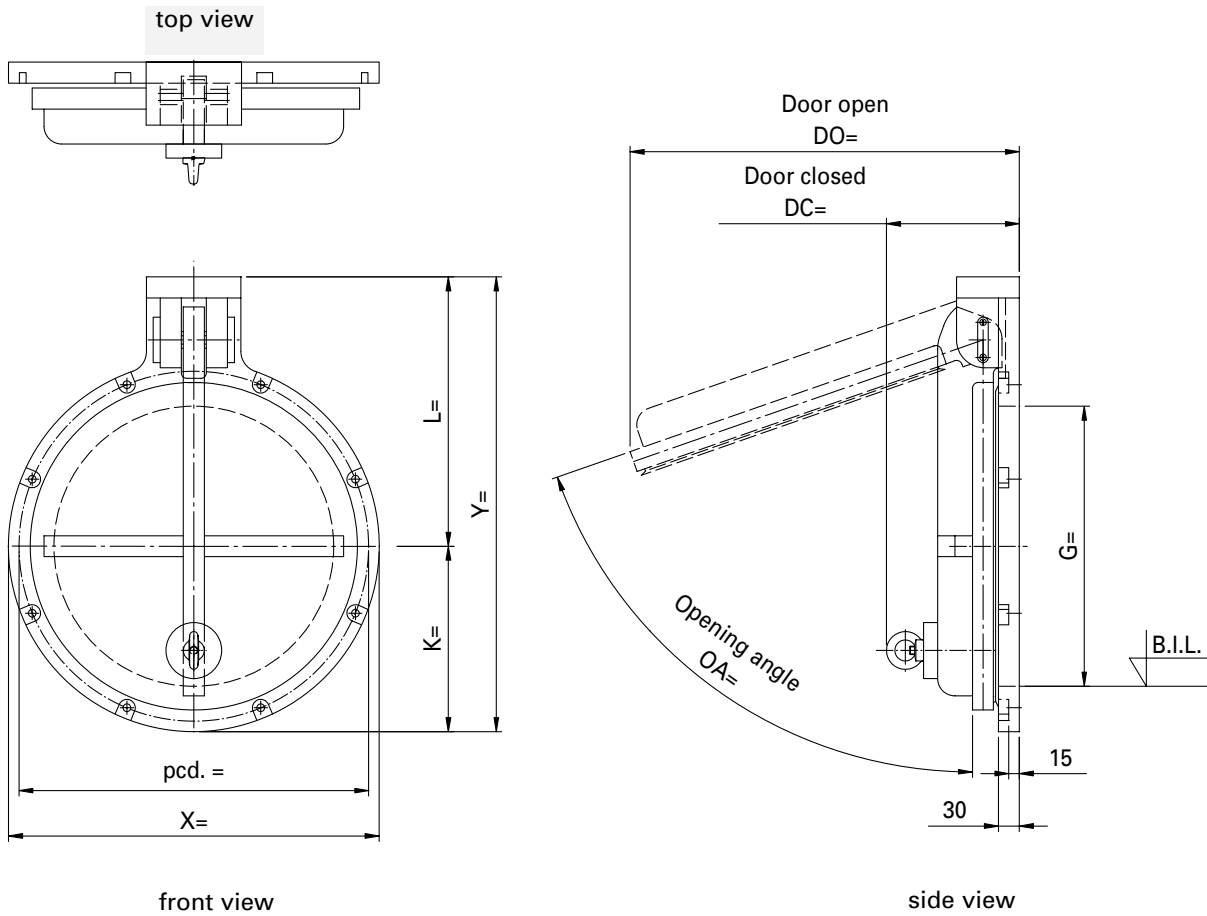


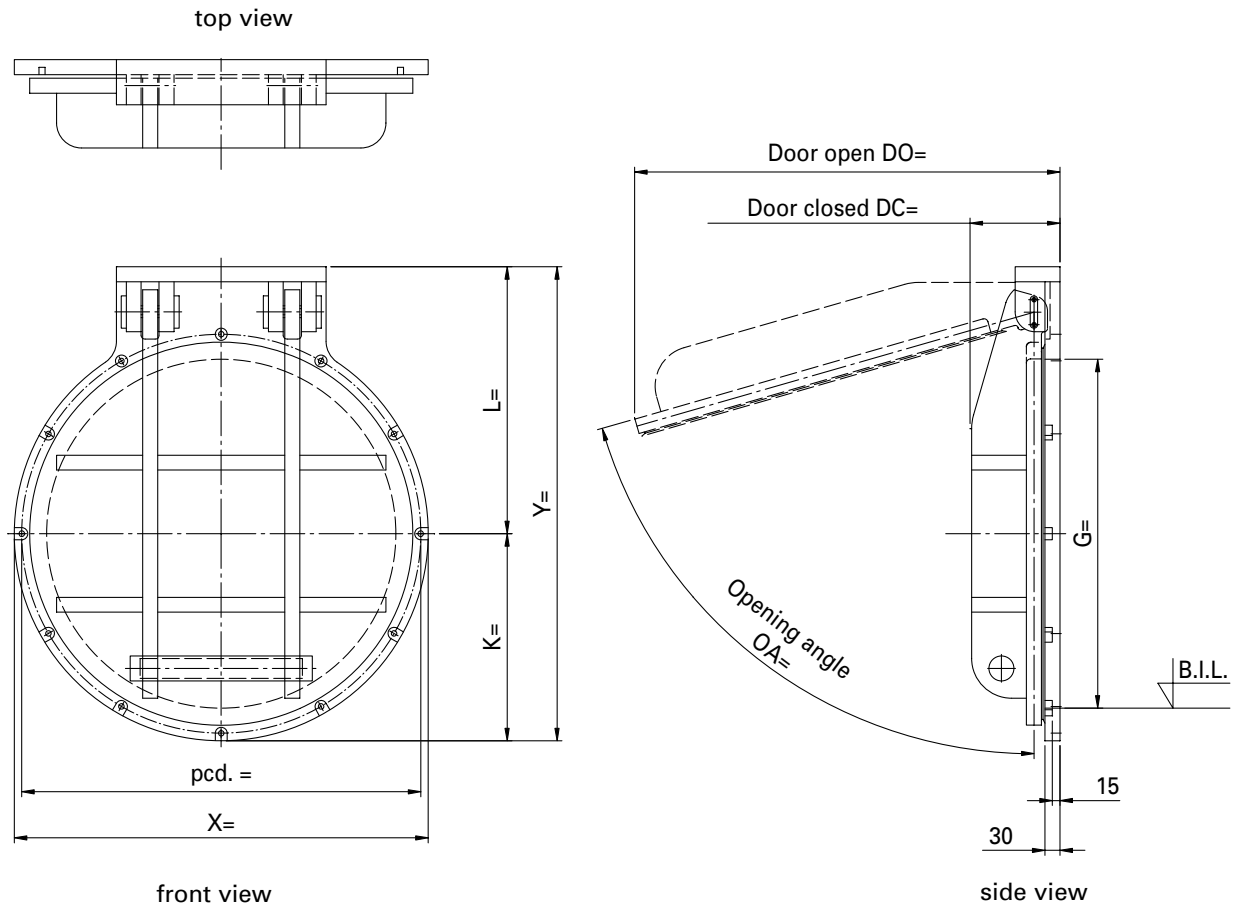
PTK-G WITH PASSAGE Ø 150 - 2000 MM



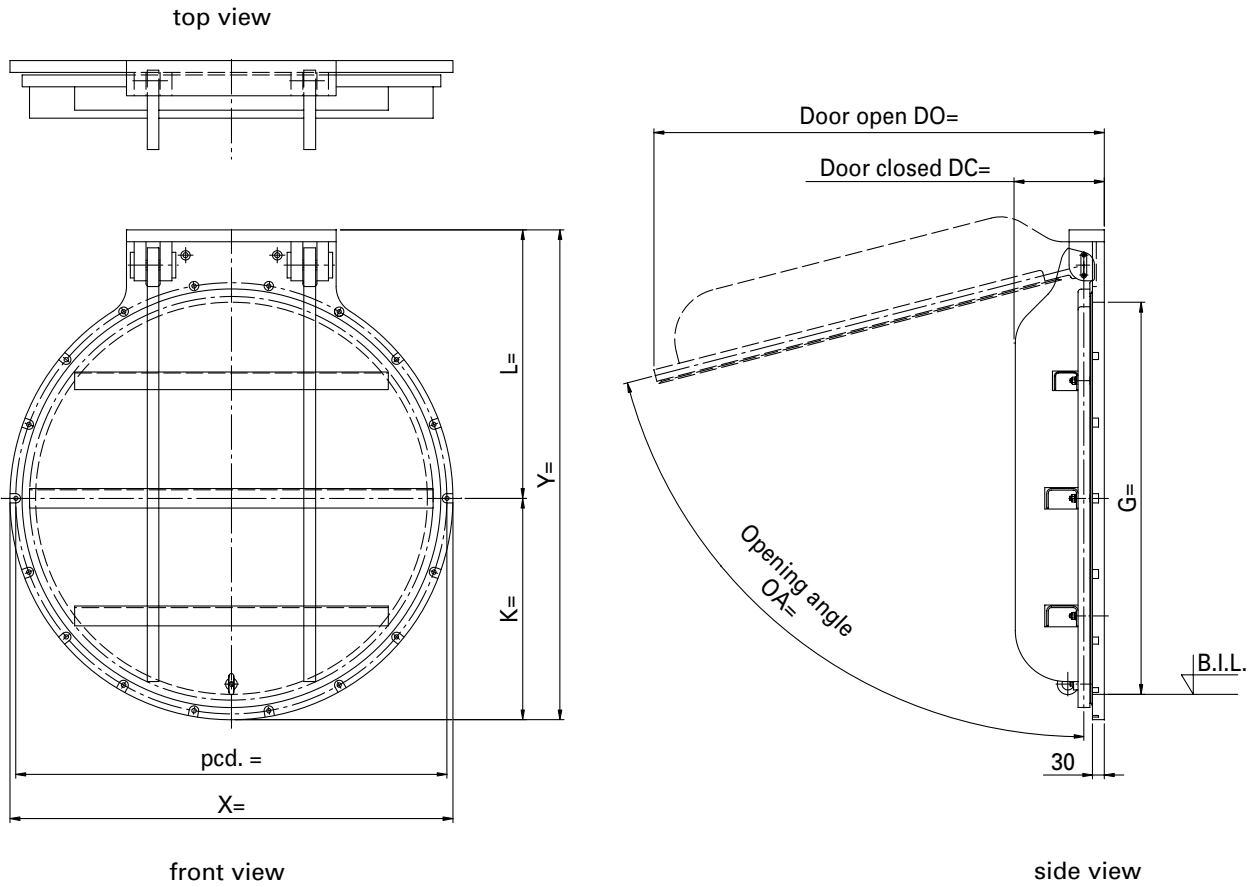
	Part	Material	Remarks
1	frame plate	HDPE	
2	valve door	HDPE	
3 A	reinforcement ribs	HDPE	PTK 150-2000G
3 B	reinforcement profile	Stainless steel AISI 316	PTK 900-2000G
4	hinge	HDPE	
5	hinge pin	Stainless steel AISI 316	
6	hinge cover	HDPE	
7	sealing	EPDM	
8	lifting eye	Stainless steel A4	
9	ballast	Stainless steel AISI 316 HDPE (filled with steel)	PTK 150-500G PTK 600-800G
10	--	--	--
11	--	--	--
12	sealing	Neoprene	



Product	ALTHON HDPE Flap valve type PTK-G					
Application	non-return flap valve suitable for emergency application / flood protection					
Standard pressure	1 meter water column permanent from top of opening, 5 meter water column short duration (72 hours) from bottom of opening higher pressures on request					
Diameter	\varnothing 150	\varnothing 200	\varnothing 250	\varnothing 300	\varnothing 400	\varnothing 500
X	280	330	380	430	530	630
pcd	250	300	350	400	500	600
K	140	165	190	215	265	315
L	260	285	310	335	385	435
Y	400	450	500	550	650	750
DO	316	362	408	457	556	655
DC	170	170	170	180	190	230
OA	63°	66°	67°	68°	71°	72°
number of chem anchors	6 xM8	6 xM8	6 xM8	6 xM8	8 xM8	10 xM8
weight in kg	4	6	7	8	13	18



Product	ALTHON HDPE Flap valve type PTK-G		
Application	non-return flap valve suitable for emergency application / flood protection		
Standard pressure	1 meter water column permanent from top of opening, 5 meter water column short duration (72 hours) from bottom of opening higher pressures on request		
Diameter	Ø 600	Ø 700	Ø 800
X	730	830	930
pcd	700	800	900
K	365	415	465
L	485	535	585
Y	850	950	1050
DO	754	853	951
DC	147	177	197
OA	73°	74°	75°
number of chem anchors	12 xM8	12 xM8	14 xM8
weight in kg	26	33	40



Product	ALTHON HDPE Flap valve type PTK-G						
Application	non-return flap valve suitable for emergency application / flood protection						
Standard pressure	1 meter water column permanent from top of opening, 5 meter water column short duration (72 hours) from bottom of opening higher pressures on request bigger dimensions upon request						
Diameter	Ø 900	Ø 1000	Ø 1200	Ø 1500	Ø 1600	Ø 1800	Ø 2000
X	1030	1130	1400	1700	1800	2000	2200
pcd	1000	1100	1350	1650	1750	1950	2150
K	515	565	700	850	900	1000	1100
L	635	685	825	975	1025	1125	1225
Y	1150	1250	1525	1825	1925	2125	2325
DO	1050	1149	1413	1703	1784	1977	2180
DC	227	227	227	247	247	307	307
OA	75°	76°	76°	76°	76°	76°	76°
number of chem anchors	18 xM8	20 xM8	24 xM8	28 xM10	28 xM10	32 xM10	36 xM10
weight in kg	51	58	73	128	155	225	275