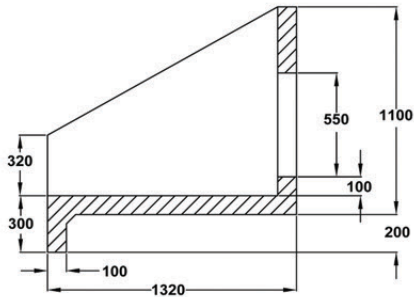
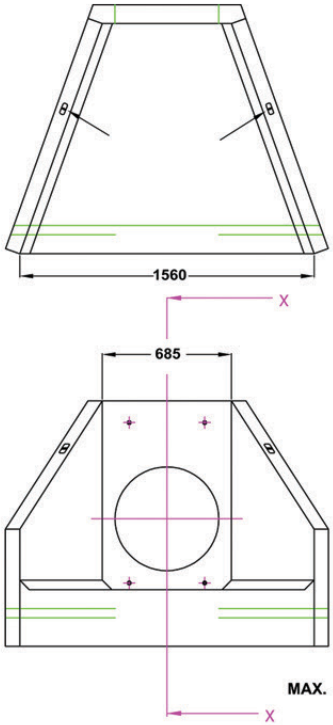


Althon H6C A Headwall



Headwall Details

A one piece reinforced concrete headwall to suit plastic or clayware pipes up to 500mm I.D. or PCC pipes up to 450mm. Available with a standard backwall height of 1.1m, with lifting points cast into each wingwall for safe handling using Althon lifting clutches. Stainless steel sockets are provided for the attachment of gratings and special brackets or available for use with the anchorage system.

Standard Precast Headwall Range	Max Pipe Opening (I.D) Plastic / C'ware	Max Pipe Opening (I.D) PCC	A mm	B mm	Approx Weight (KG)
H6C A	500	450	1100	320	940

Installation Instructions

1. Dig out the bank of the watercourse to take the appropriate size of the headwall making sure that the headwall will not protrude into the path of the water flow.
2. Dig out a sufficient size trench to take the toe along the front of the foundation. The toe should be installed first; mass concrete should be used to backfill in front and under the unit.
3. Lay a 100mm thick bed of semi dry concrete as a foundation to sit the headwall level, or with a slight fall (1:50) from pipe to spill mouth.
4. Using appropriate lifting clutches (available from Althon LTD) in the anchor positions on the wing walls lift the unit and carefully manoeuvre into position on prepared foundation.
5. Mass concrete should be used to backfill in front and under the toe and well compacted impervious clay around the rest of the unit.
6. Position pipe in prepared trench and insert through backwall of headwall (flush if with flap valve or grating -50mm protrusion if not).
7. Fill void around pipe with a good quality sand cement mortar.
8. Once satisfied with the positioning of the pipe, backfill in accordance with Engineers instructions.