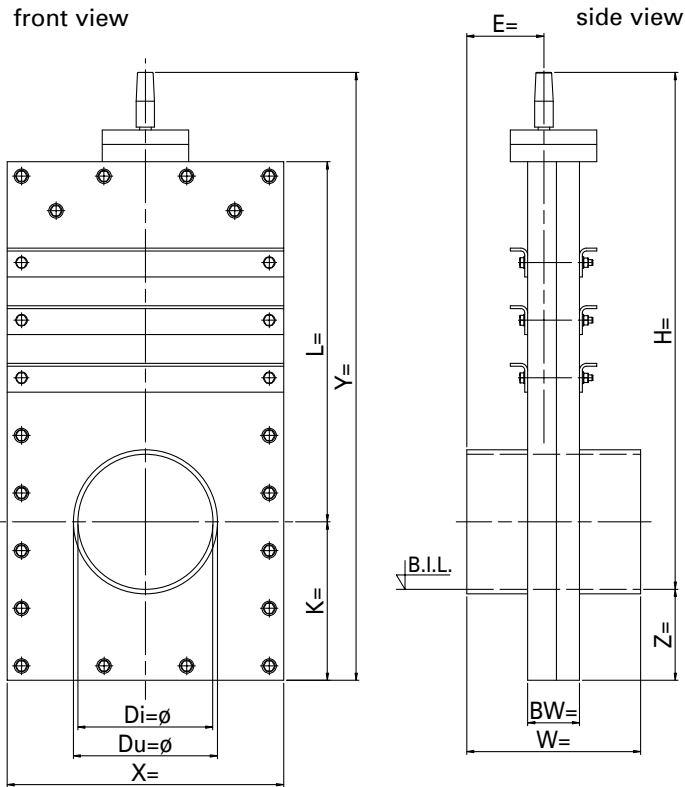


HDPE PIPE VALVE PLA-P

WITH PASSAGE Ø 160 - 500MM



Product	HDPE Pipe valve type PLA-P					
Application	Valve in pipe systems with connection to pvc tubes (P-connection)					
Standard pressure	7,5 meter water column on and off-seating pressure from bottom of invert higher pressures on request bigger dimensions on request					
Operation possibilities	see introduction					
Materials	Body	HDPE				
	Reinforcement	Stainless steel AISI 316				
	Door	Stainless steel AISI 316				
	Spindle	Stainless steel AISI 316				
	Sealing	EPDM				
	Nut	Bronze/POM				
Diameter	Ø 160	Ø 200	Ø 250	Ø 315	Ø 400	Ø 500
X	380	430	480	530	630	730
K	225	250	275	300	350	400
L	475	550	625	700	850	1000
Y	855	955	1055	1158	1356	1557
H	705	799	897	1005	1193	1391
Di	150	187	234	295	375	469
Du	160	200	250	315	400	500
E	120	127	134	146	223	233
BW (body width)	90	90	90	90	90	90
W (width)	274	288	302	326	480	500
Z	150	157	158	153	163	166
spindle bare shaft	Ø 20	Ø 20	Ø 20	Ø 20	Ø 20	Ø 20
thread	TR20X4L	TR20X4L	TR20X4L	TR20X4L	TR20X4L	TR20X4L
number of turns open / close	44	56	69	81	106	131
weight in kg	31	41	50	63	94	130