

RSFA20B 05 Angled Headwall

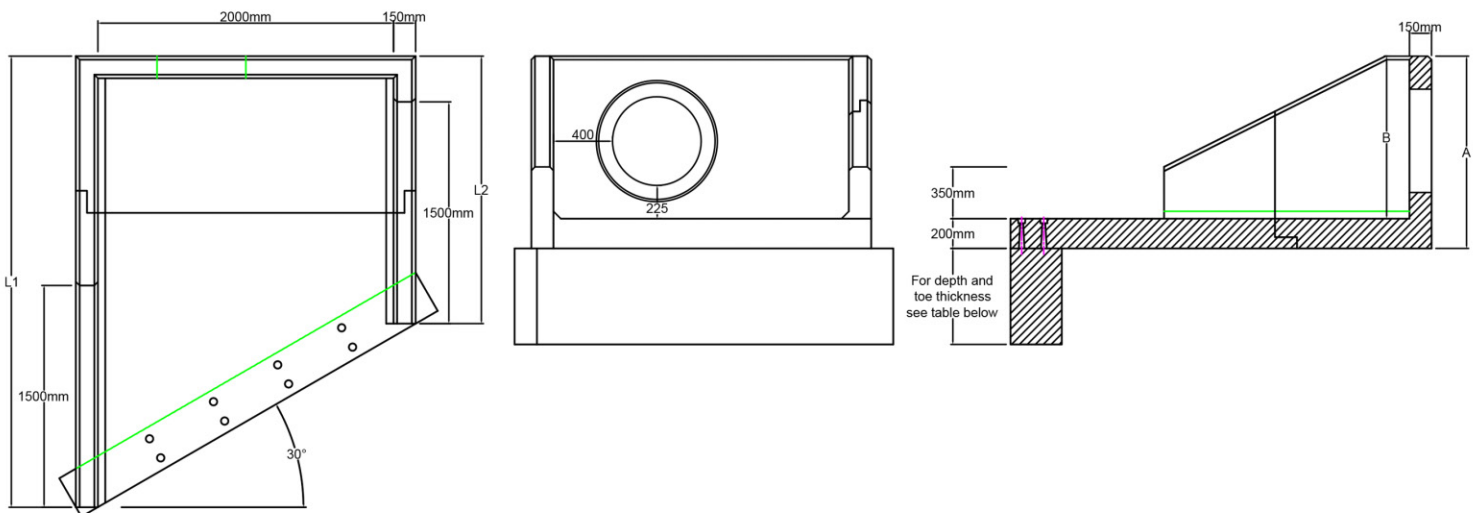
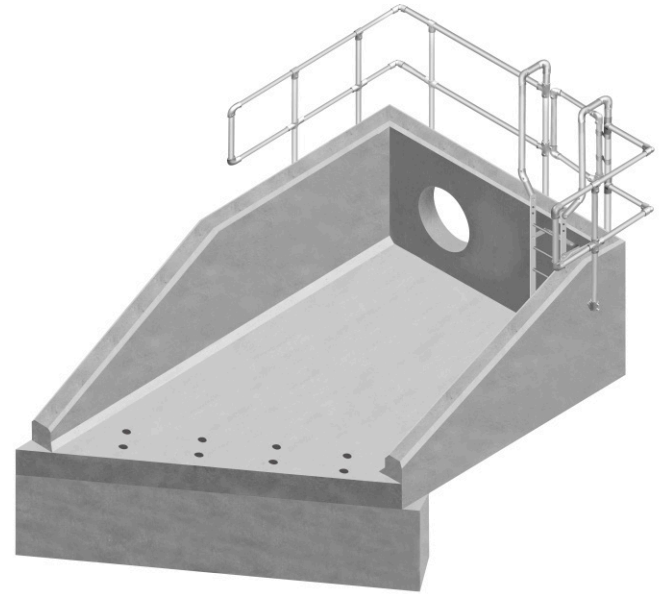
The RSFA20B 05 Left Hand Angled Headwall A two piece structure with separate toe

The RSFA20B 05 Angled Headwall is a two piece structure with a wing wall profile of 1:2, an internal back wall height of 1100mm, suitable for pipes with a maximum internal diameter of 600mm and supplied with a separate toe beam. The RSFA20B 05 Angled Headwall discharges at 30 Deg. to the watercourse.

Sewers for Adoption Guidelines call for an Outfall Safety Grille to be fitted to all openings 350mm and above. The RSFA20B 05 back wall allows room for an SFA Compliant Outfall Safety Grille to be fitted along with an access ladder, Kee Klamp® Size 8 GMS Handrail is also fitted to the back wall and the horizontal section of the wing walls with a self-closing gate above the access ladder.

The RSFA20B 05 Angled Headwall is available in two lengths; there are two thicknesses of toe beam available each in three depths to suit site conditions.

The RSFA20B 05 Angled Headwall is in accordance with Severn Trent Water Drawing No STD6002 Rev 02



Headwall Ref	Back Wall Height A	Back Wall Height B	Length L1	Length L2	Wing Wall	Weight	Available with Baffle Blocks	Weight with 300mm Thick Toe			Weight with 500mm Thick Toe		
	External	Internal	External	External				400mm	650mm	950mm	500mm	750mm	1000mm
	mm	mm	mm	mm		kg		kg	kg	kg	kg	kg	kg
RSFA20B / 05 / 3050 LH 30 Deg	1300	1100	3050	1810	1:2	5010		5810	6310	6910	6630	7440	8250
RSFA20B / 05 / 3390 LH 30 Deg	1300	1100	3390	2150	1:2	5680	✓	6480	6980	7580	7300	8110	8920

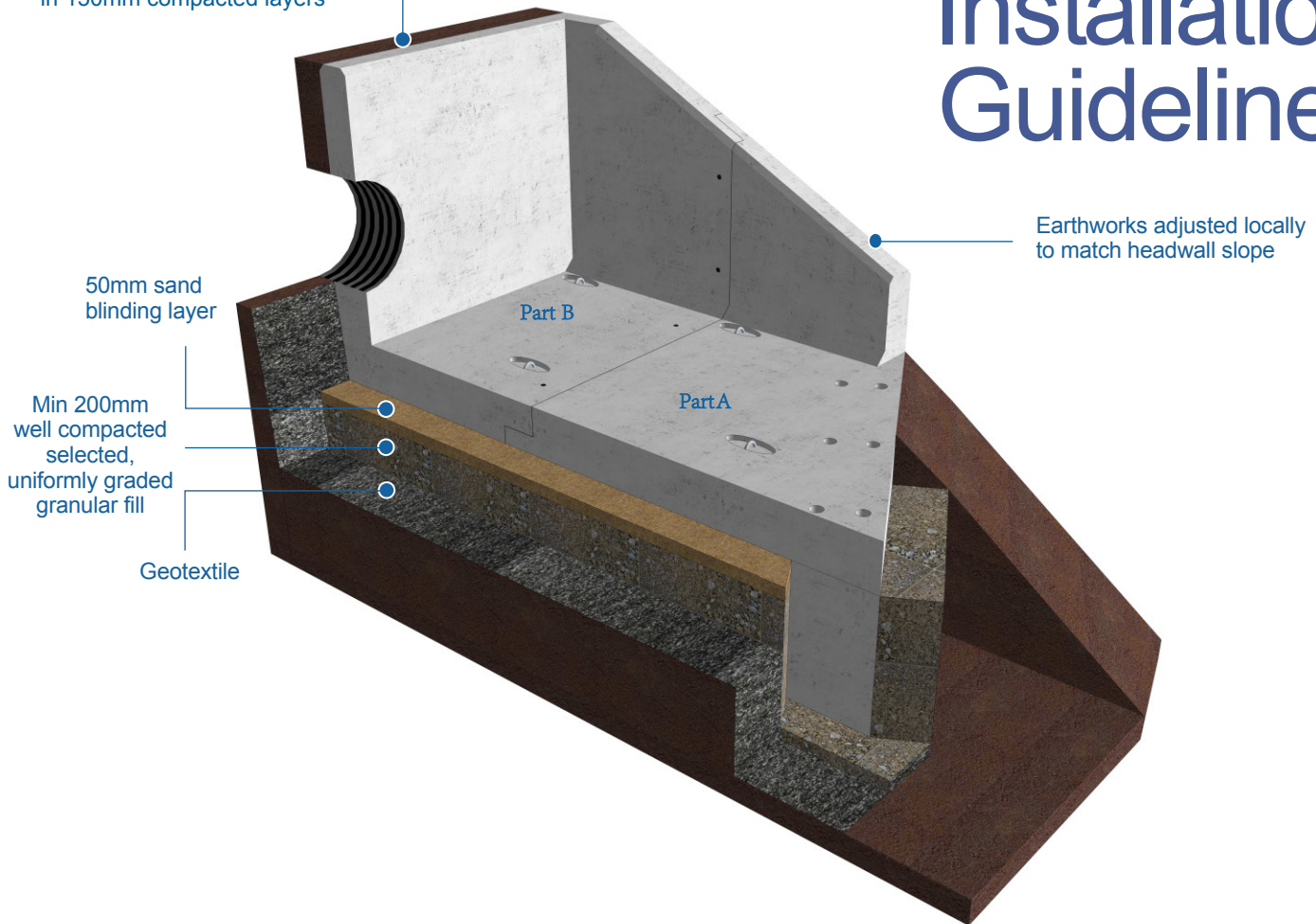
Headwall Ref	Max Pipe Opening	Max Pipe Opening	Max Pipe Opening	Max Pipe Opening
	TW / Clay	Concrete	TW / Clay	Concrete
	With SFA Grate		Without Grating	
	mm	mm	mm	mm
RSFA20B / 05 / 3050 LH 30 Deg	600	600	600	600
RSFA20B / 05 / 3390 LH 30 Deg	600	600	600	600

All figures based on an invert level for incoming pipe of 225mm.

If invert level of less than 225mm is required larger pipes can be accommodated. Please contact Althon with your specific requirements.

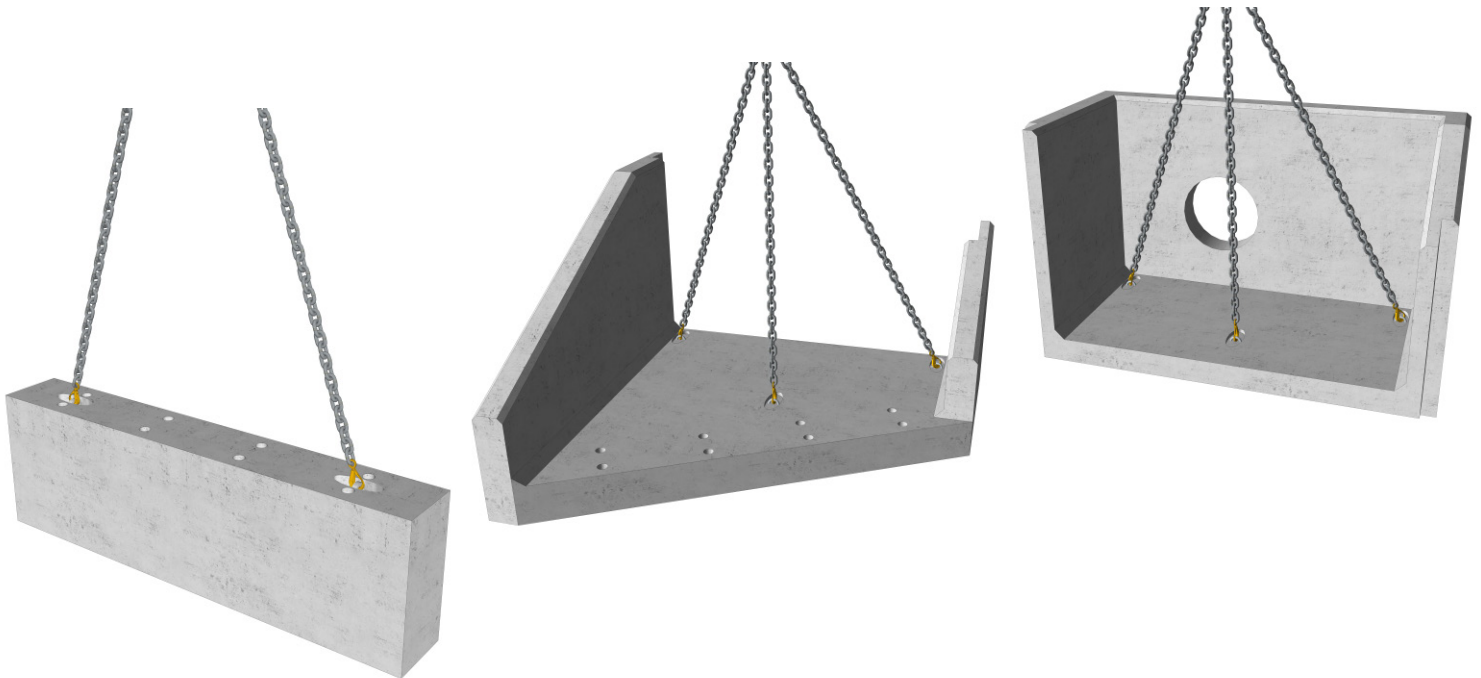
Back fill with as dug material
in 150mm compacted layers

Installation Guidelines



- 1 Ensure that first or last spigot/butt or socket/butt pipe that is to be fitted to the Headwall is in position and free from backfill.
- 2 Dig out the bank of the watercourse to take the size of the headwall making sure that the Headwall will not protrude into the path of the water flow. The angle of the excavation to the rear of the Headwall should be roughly the same as the existing bank profile.
- 3 Dig out sufficient size trench to take the toe along the front of the foundation.
- 4 Line toe foundation with Geotextile then place selected, uniformly graded granular fill in the base and compact well. Lift Toe into position and level then fill around the toe with selected, uniformly graded granular fill and compact well. Insert supplied threaded rod into the sockets cast into the top of the toe.
- 5 Line the base of the rest of excavation with Geotextile then place a minimum bed of 200mm Class 6A* Selected Well Graded Granular Material on the base & compact well, especially around the back of the toe, then a 50mm blinding layer of sharp sand. Lift Part A of the Headwall into position, over the threaded rod protruding from the toe and level. Place washer over threaded rod in recess in Headwall apron and tighten nut. Once satisfied that Headwall Part A is in the correct position, clean the rebated edge of Headwall Part A and install the fixing bolts, ready to receive Headwall Part B. Lift in Headwall Part B, position over the end of the pipe and then into the groove & over the fixing bolts in Headwall Part A. When satisfied that Headwall Part B is in the correct position, fit nuts to the fixing pins and tighten, then fill around the nuts and along the joint between the two parts with a high strength non-shrink grout.
- 6 The pipe should be flush with the front of the back wall if fitting grating or flap valve, or protruding by 50mm if not
- 7 Shim the pipe until it is central within the opening then fill void with sand cement mortar or high strength non-shrink grout.
- 8 If flap valve or grating is supplied, this will need to be removed before the pipe is inserted and sealed into place. Then reinstall using stainless steel fixing bolts into cast in sockets. (When bolting flap valves against headwall, use a good quality sealant but do not over tighten bolts or distortion may occur resulting in the valve not seating correctly.
- 9 Backfill pipe section first then backfill all around Headwall with as dug material. Make good at front of toe with as dug material ensuring river bank is returned to its original profile. It may be necessary to provide protection in front of the toe, please refer to engineers' recommendation

*Manual of Contract Documents for Highway Works: Volume 1 (MCHW1), Specification for Highway Works, Series 600 (Nov 09)



Rapid-Lift Lifting Anchors

All Althon RSFA Headwalls and Toes are fitted with Rapid-Lift lifting anchors. The Althon Rapid-Lift system allows the RSFA Headwalls & Toes to be offloaded, transported and located in their final position without the need for any specialised lifting equipment. Standard lifting hooks and chains can be used with the three lifting points (two lifting points on Toes). The minimum chain leg length for all units is 1500mm.

Althon Precast Concrete RSFA Headwall Safety Sheet

Althon Limited manufacture pre-cast concrete RSFA Headwalls using :-

6 - 14mm aggregate · 0/4mm Sharp sand · Portland cement BS EN 197-1- Cem 1 52.5 · Cryso Fluid Premia 205 Varit Superplasticiser

When units have been manufactured and cured they are in a chemically inert state. But the following information should be considered.

- It is advisable to wear toe cap safety footwear when handling any concrete products. Please refer to your company Safety Policy for specific details on manual handling.
- When cutting with masonry grinding discs or drilling with masonry drill bits it is necessary to wear eye protection and a dust mask. It is also recommended to wear ear protection during either of these two processes.
- Due to some units having sharp edges it is advisable to wear protective gloves when handling Althon products.
- When fitting or removing some of the larger accessories it is necessary to use a mechanical system to prevent risk of back injury.

Maintenance of RSFA Headwalls

With respect to the maintenance of any exposed surfaces of concrete components, only routine (Annual) cleaning may be necessary with a Power Washer and possibly some mild detergent to any exposed surfaces to maintain appearance; however all sites are unique and environmental impact of cleaning should be taken into account. Where cleaning is required and environmental conditions prevent mild detergent, using clean water and a power washer/stiff brush should suffice. Concrete units are often expected to “weather” and some coverage will help them to blend into their environment.

If damage to the structure of any pre-cast concrete components occurs we recommend their replacement not repair. If there is minor damage to corners during their normal life by grass cutting equipment etc. then repair with an epoxy compound such as ‘Mason Mate 0868PR380 Polyester Resin’.

To dispose of any Pre-Cast concrete components the preferred method is to recycle the material by crushing and grading, but if the quantity is too small to be cost effective then disposal in conventional landfill is acceptable as all the concrete components are inert with regard to having any environmental impact.

Maintenance of Galvanised Grates & Handrails.

Annual/bi-annual visual checks are basic recommendations. If gratings are in a water course subject to a higher level of debris/weed, then more regular checks may be required. Clearing of debris/weeds from the grate will ensure no disruption to the flow, or backing up of the water course. Handrails should also only require a visual inspection – annually or at the same time as the headwall & grates.