



SP27 Headwall Range

Up to 1800mm Pipework
1300mm - 2350mm Backwall Height

300 and 500mm Thick Toe

Althon SP 'Splayed Wing Wall Headwalls' are produced with a higher wing wall at the front of the apron. This makes them ideal for inlets or outlets where situated in locations with high/steep embankments or where the structure is required to provide protection to an accessory such as a Flap Valve, Duck Bill Valve, Stop-Logs or Weir Wall. Althon SP precast concrete headwalls offer a cost effective alternative to in-situ structures for connecting pipework discharging into open watercourses.

The SP27 Headwall range can cater for pipe sizes up to and including 1800mm. There are four wingwall profiles available horizontal, 1:2.3, 1:1.6 and 1:1.24. Each size of concrete headwall comes with six depths of toe and four backwall heights ranging from 1300mm up to 2350mm.

All SP concrete headwalls are cast to suit the diameter and type of pipe being used and can be provided with fixings cast in at the time of manufacture to accommodate gratings, trash screens, flap valves, ladders, guardrails and flow and depth monitoring equipment.



SP27E
1300mm Backwall



SP27F
1650mm Backwall



SP27G
1650mm Backwall



SP27H
2000mm Backwall



SP27I
2000mm Backwall



SP27J
2000mm Backwall



SP27K
2350mm Backwall



SP27L
2350mm Backwall

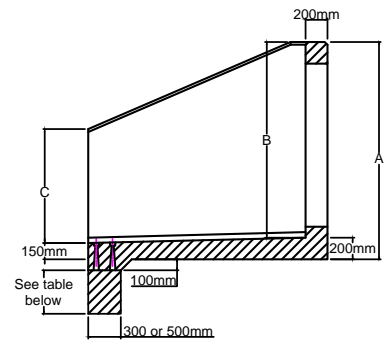
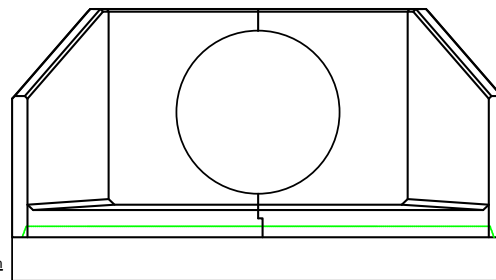
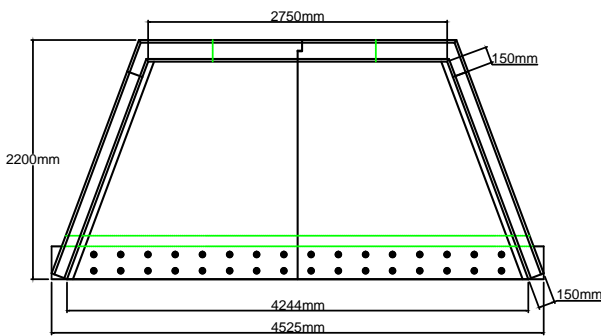


SP27M
2350mm Backwall



SP27N
2350mm Backwall

Optional Kee Klamp handrail



Maximum pipe size
1800mm

Backwall heights
1300mm - 2350mm

Specifiable pipe invert levels

Single or multiple pipe openings

Optional pre-fitted grating

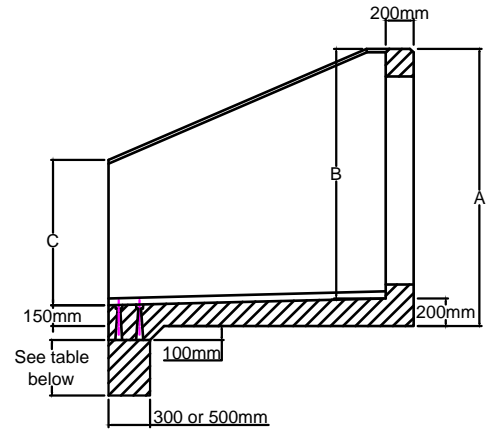
Optional pre-fitted flap valve

Optional pre-fitted penstock

SP27 Headwall Range

Up to 1800mm Pipework
1300mm - 2350mm Backwall Height

300mm Thick Toe

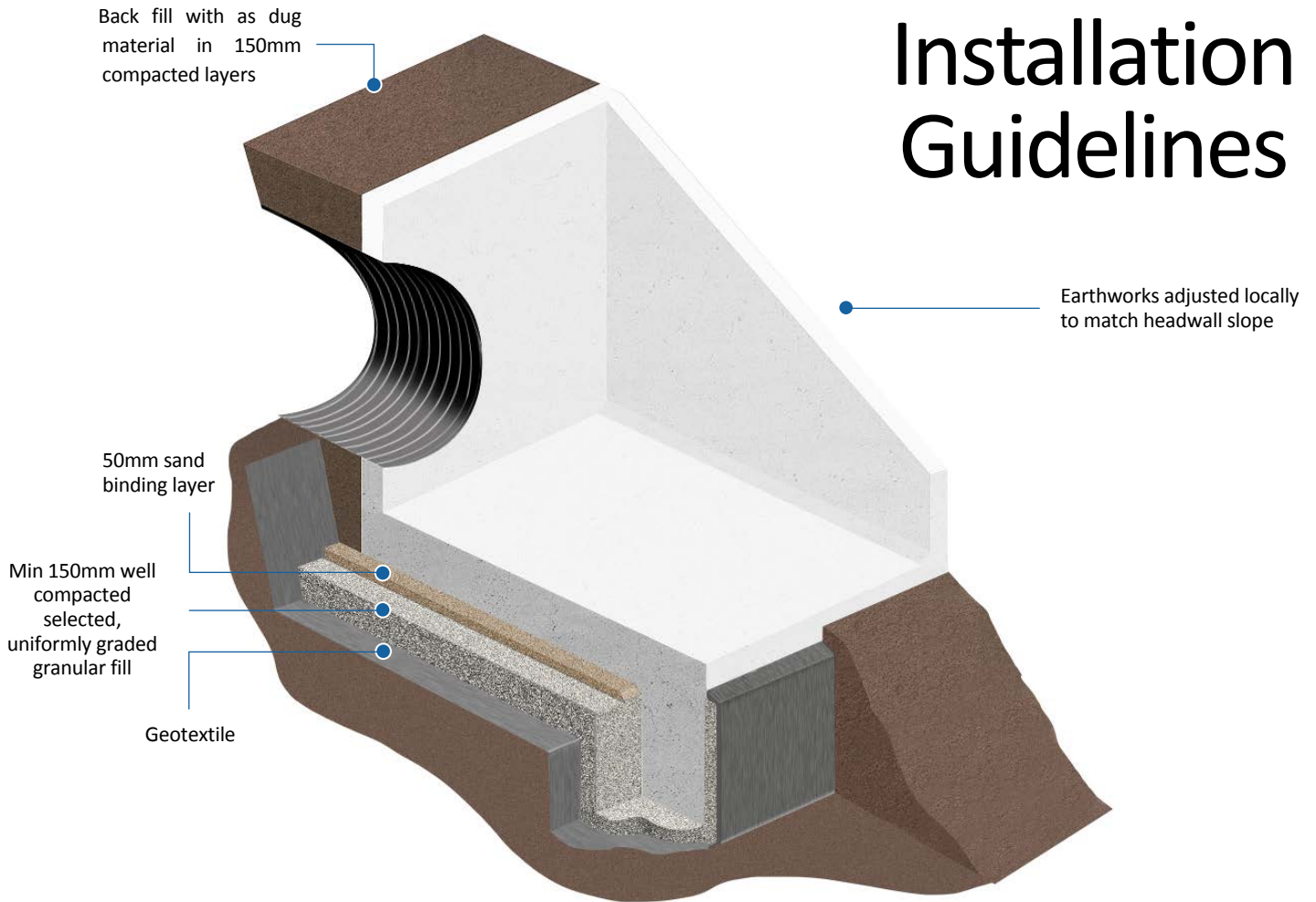


Headwall Ref	Back Wall Height A	Back Wall Height B	Front Wall Height C	Wing Wall Profile	Weight	Weight with Toe			Max Pipe Opening	Max Pipe Opening	Max Pipe Opening	Max Pipe Opening	Max Pipe Opening	Max Pipe Opening
						400mm	650mm	900mm						
									TW / Clay	Concrete	TW / Clay	Concrete	TW / Clay	Concrete
	mm	mm	mm		kg	kg	kg	kg	mm	mm	mm	mm	mm	mm
SP27E	1300	1100	1150	Horizontal	7100	8410	9230	10050	750	825	750	675	600	600
SP27F	1650	1450	700	1:2.3	7500	8810	9630	10450	1200	1050	1050	1050	900	900
SP27G	1650	1450	1500	Horizontal	8100	9410	10230	11050	1200	1050	1050	1050	900	900
SP27H	2000	1800	700	1:1.6	8300	9610	10430	11250	1500	1350	1200	1350	1200	1200
SP27I	2000	1800	1050	1:2.3	8500	9810	10630	11450	1500	1350	1200	1350	1200	1200
SP27J	2000	1800	1850	Horizontal	9100	10410	11230	12050	1500	1350	1200	1350	1200	1200
SP27K	2350	2150	700	1:1.24	9100	10410	11230	12050	1800	1600	1800	1600	1650	1500
SP27L	2350	2150	1050	1:1.6	9400	10710	11530	12350	1800	1600	1800	1600	1650	1500
SP27M	2350	2150	1400	1:2.3	9600	10910	11730	12550	1800	1600	1800	1600	1650	1500
SP27N	2350	2150	2200	Horizontal	10400	11710	12530	13350	1800	1600	1800	1600	1650	1500

500mm Thick Toe

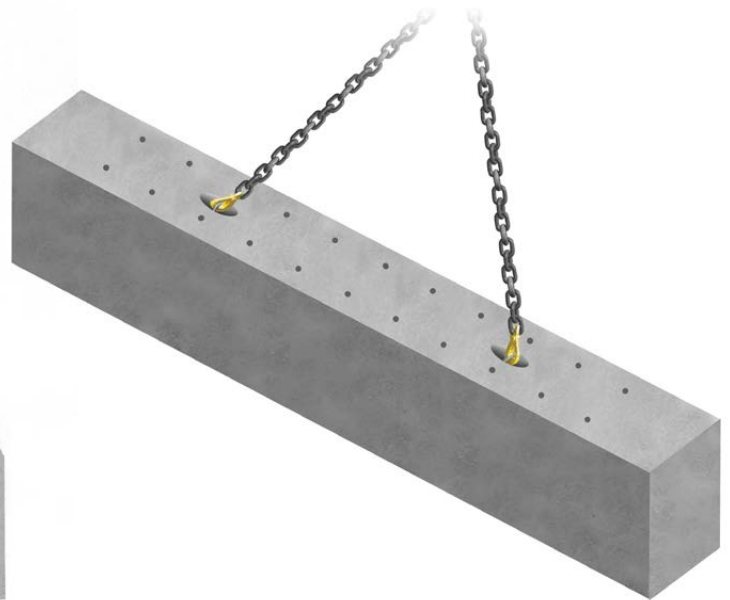
Headwall Ref	Back Wall Height A	Back Wall Height B	Front Wall Height C	Wing Wall Profile	Weight	Weight with Toe			Max Pipe Opening	Max Pipe Opening	Max Pipe Opening	Max Pipe Opening	Max Pipe Opening	Max Pipe Opening
						500mm	750mm	1000mm						
									TW / Clay	Concrete	TW / Clay	Concrete	TW / Clay	Concrete
	mm	mm	mm		kg	kg	kg	kg	mm	mm	mm	mm	mm	mm
SP27E	1300	1100	1150	Horizontal	7100	9284	10652	12013	750	825	750	675	600	600
SP27F	1650	1450	700	1:2.3	7500	9684	11052	12413	1200	1050	1050	1050	900	900
SP27G	1650	1450	1500	Horizontal	8100	10284	11652	13013	1200	1050	1050	1050	900	900
SP27H	2000	1800	700	1:1.6	8300	10484	11852	13213	1500	1350	1200	1350	1200	1200
SP27I	2000	1800	1050	1:2.3	8500	10684	12052	13413	1500	1350	1200	1350	1200	1200
SP27J	2000	1800	1850	Horizontal	9100	11284	12652	14013	1500	1350	1200	1350	1200	1200
SP27K	2350	2150	700	1:1.24	9100	11284	12652	14013	1800	1600	1800	1600	1650	1500
SP27L	2350	2150	1050	1:1.6	9400	11584	12952	14313	1800	1600	1800	1600	1650	1500
SP27M	2350	2150	1400	1:2.3	9600	11784	13152	14513	1800	1600	1800	1600	1650	1500
SP27N	2350	2150	2200	Horizontal	10400	12584	13952	15313	1800	1600	1800	1600	1650	1500

Installation Guidelines



- 1 Ensure that first or last spigot/butt or socket/butt pipe that is to be fitted to the Headwall is in position and free from backfill.
- 2 Dig out the bank of the watercourse to take the size of the headwall making sure that the Headwall will not protrude into the path of the water flow. The angle of the excavation to the rear of the Headwall should be roughly the same as the existing bank profile.
- 3 Dig out sufficient size trench to take the toe along the front of the foundation.
- 4 Line toe foundation with Geotextile then place selected, uniformly graded granular fill in the base and compact well. Lift Toe into position and level then fill around the toe with selected, uniformly graded granular fill and compact well. Insert supplied threaded rod into the sockets cast into the top of the toe.
- 5 Line the base of the rest of excavation with Geotextile then place a minimum bed of 150mm Class 6A* Selected Well Graded Granular Material on the base & compact well, especially around the back of the toe, then a 50mm blinding layer of sharp sand. Lift Headwall into position, over the end of the pipe & locate over threaded rod protruding from the toe and level. Place washer over threaded rod (SFA10 8 No) in recess in Headwall apron and tighten nut. Fill recess with high strength non-shrink grout.
- 6 The pipe should be flush with the front of the back wall if fitting grating or flap valve, or protruding by 50mm if not.
- 7 Shim the pipe until it is central within the opening then fill void with sand cement mortar or high strength non-shrink grout.
- 8 If flap valve or grating is supplied, this will need to be removed before the pipe is inserted and sealed into place. Then reinstall using stainless steel fixing bolts into cast in sockets. (When bolting flap valves against headwall, use a good quality sealant but do not over tighten bolts or distortion may occur resulting in the valve not seating correctly.
- 9 Backfill pipe section first then backfill all around Headwall with as dug material. Make good at front of toe with as dug material ensuring river bank is returned to its original profile. It may be necessary to provide protection in front of the toe, please refer to engineers' recommendation.

*Manual of Contract Documents for Highway Works: Volume 1 (MCHW1), Specification for Highway Works, Series 600 (Nov 09)



Rapid-Lift Lifting Anchors

All Althon SP Headwalls and Toes are fitted with Rapid-Lift lifting anchors. The Althon Rapid-Lift system allows the SP Headwalls & Toes to be offloaded, transported and located in their final position without the need for any specialised lifting equipment. Standard lifting hooks and chains can be used with the three lifting points (two lifting points on Toes). The minimum chain leg length for all units is 1500mm.

Althon Precast Concrete SP Headwall Safety Sheet

Althon Limited manufacture pre-cast concrete SP Headwalls using :-

6 - 14mm aggregate · 0/4mm Sharp sand · Portland cement BS EN 197-1- Cem 1 52.5 · Cryso Fluid Premia 205 Varit Superplasticiser

When units have been manufactured and cured they are in a chemically inert state. But the following information should be considered.

- It is advisable to wear toe cap safety footwear when handling any concrete products. Please refer to your company Safety Policy for specific details on manual handling.
- When cutting with masonry grinding discs or drilling with masonry drill bits it is necessary to wear eye protection and a dust mask. It is also recommended to wear ear protection during either of these two processes.
- Due to some units having sharp edges it is advisable to wear protective gloves when handling Althon products.
- When fitting or removing some of the larger accessories it is necessary to use a mechanical system to prevent risk of back injury.

Maintenance of SP Headwalls

With respect to the maintenance of any exposed surfaces of concrete components, only routine (Annual) cleaning may be necessary with a Power Washer and possibly some mild detergent to any exposed surfaces to maintain appearance; however all sites are unique and environmental impact of cleaning should be taken into account. Where cleaning is required and environmental conditions prevent mild detergent, using clean water and a power washer/stiff brush should suffice. Concrete units are often expected to “weather” and some coverage will help them to blend into their environment.

If damage to the structure of any pre-cast concrete components occurs we recommend their replacement not repair. If there is minor damage to corners during their normal life by grass cutting equipment etc. then repair with an epoxy compound such as ‘Mason Mate 0868PR380 Polyester Resin’.

To dispose of any Pre-Cast concrete components the preferred method is to recycle the material by crushing and grading, but if the quantity is too small to be cost effective then disposal in conventional landfill is acceptable as all the concrete components are inert with regard to having any environmental impact.

Maintenance of Galvanised Grates & Handrails.

Annual/bi-annual visual checks are basic recommendations. If gratings are in a water course subject to a higher level of debris/weed, then more regular checks may be required. Clearing of debris/weeds from the grate will ensure no disruption to the flow, or backing up of the water course. Handrails should also only require a visual inspection – annually or at the same time as the headwall & grates.