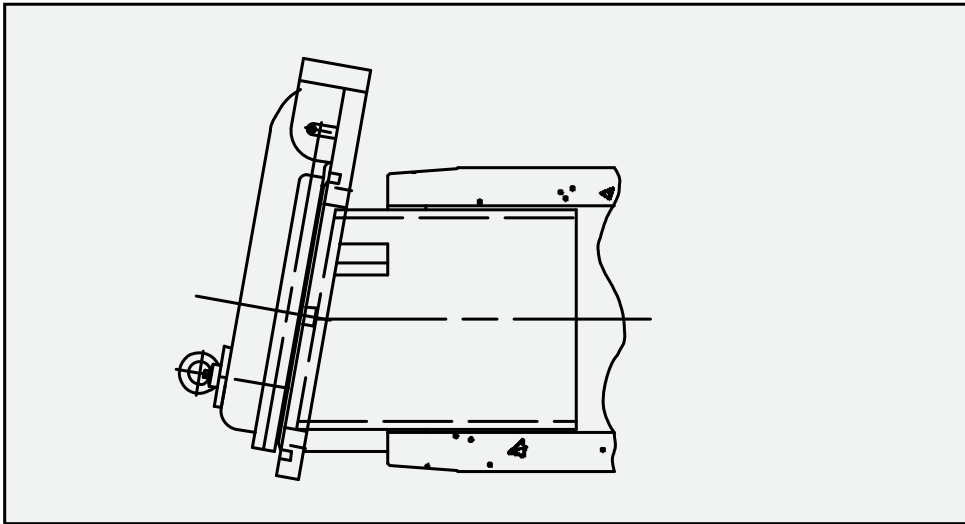
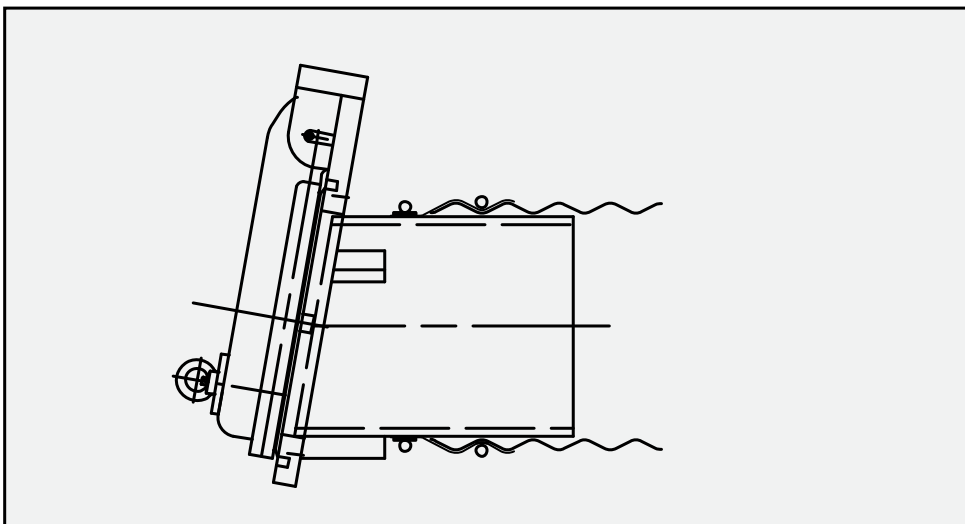


Concrete / Steel Tube

To connect the flap valve to a concrete or steel tube, a socket is welded to the flap valve and this is inserted into the pipe.



PTK-BS for Concrete Pipe



PTK-BS for Steel Pipe

The flap valve is fixed in place using bolts.

A neoprene gasket is included in the delivery to ensure a watertight connection between the socket and the pipe. The neoprene gasket is wrapped around the socket and pushed into the pipe. This compresses the gasket and achieves a water tight connection.