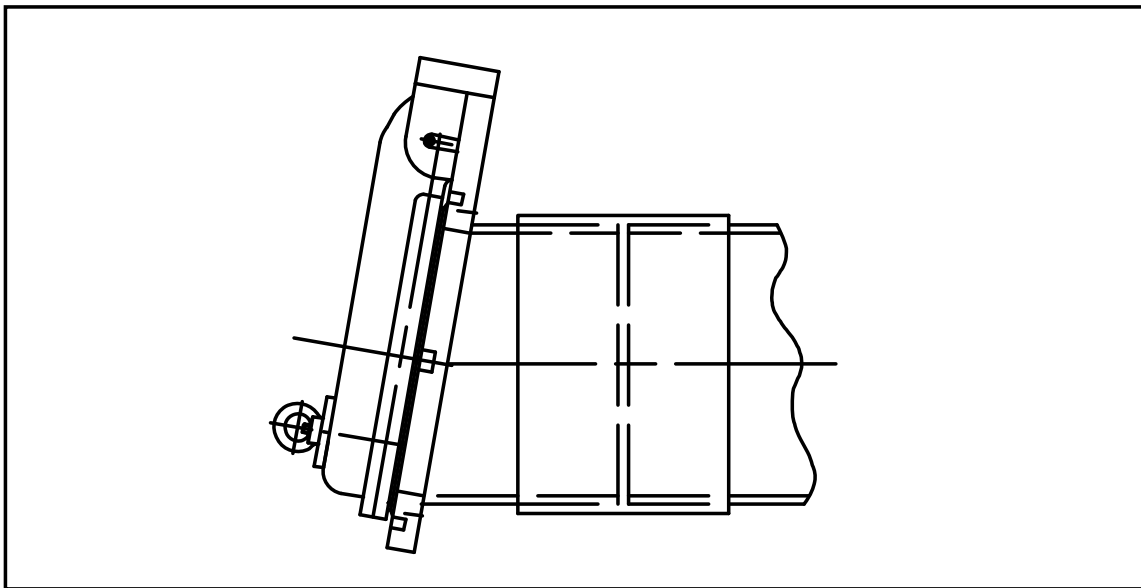


PVC TUBE

The P model can be connected to a PVC / HDPE tube with a socket. As you can see in the image below, the outside diameter of the connection is equal to the outside diameter of the PVC tube. So the flap valve with P connection can be easily mounted to a PVC tube with a socket.



PTK-P for PVC pipe

Other diameter / dimensions that are not shown on our website are available on request.